

Series HV04372

WBS Approved Full Bore Ball Valve. PN16
With Compression Ends



- Blow-out proof stem
- Fullbore hard Chromium plated ball
- Virgin PTFE seats and stem seals
- Bi-directional flow for ease of installation
- Threaded BS 21 Taper
- Compression fitting ends to BS 864/2

Test Pressures (Hydraulic)

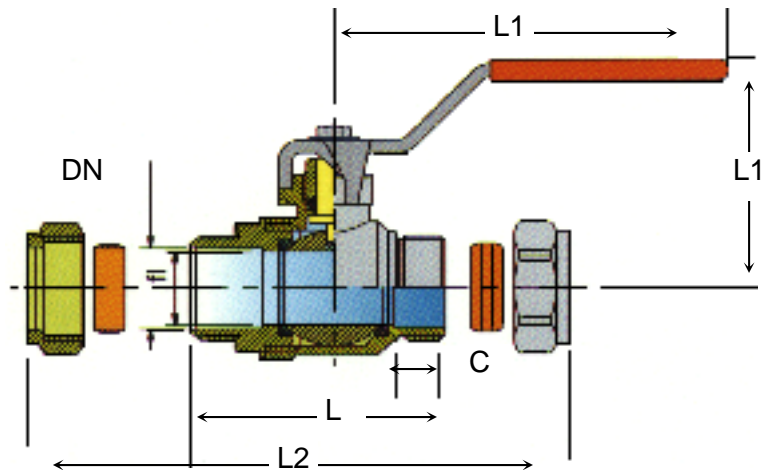
Shell: 24 bar
Seat: 17.1 bar

Pressure Temperature Range

5 bar @ 120°C
10 bar @ 65°C
16 bar @ 30°C

Materials

Part	Material
Body 15-42mm	Brass (chrome plated)
Body 54mm	Bronze
Stem	Brass
Ball	Brass (chrome plated)
Gland	Brass
Seat	PTFE
Stem Seal	PTFE
Compression Nut	Brass (chrome plated)
Olive	Brass



Dimensions & Weights

DN mm	Ø mm	Ø mm	L mm	L1 mm	L2 mm	H mm	C mm
15	14	1/2	57	95	74	52	13
22	20	3/4	67	95	85	56	13
28	25	1	77	127	97	64	16
35	32	1 1/4	93	128	112	69	17
42	40	1 1/2	104	140	128	80	20
54	50	2	113	140	140	88	20