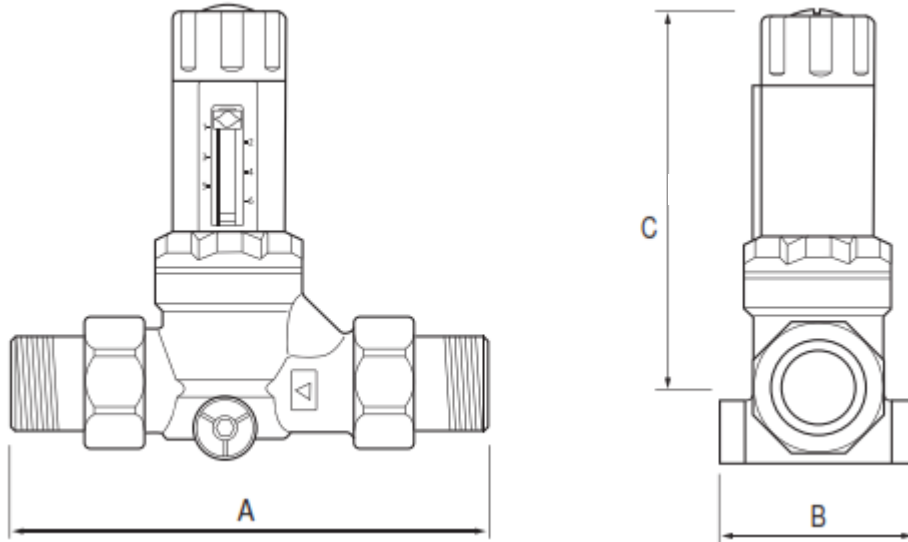


HERZ Pressure Reducing Valve PN25

Standard sheet for
HVPRV (0413)



Size	(inches)	1/2	3/4	1	1 1/4	1 1/2	2
A	mm	130	138	170	191	220	255
B	mm	74	74	84	94	94	94
C	mm	103	103	132	194	194	187

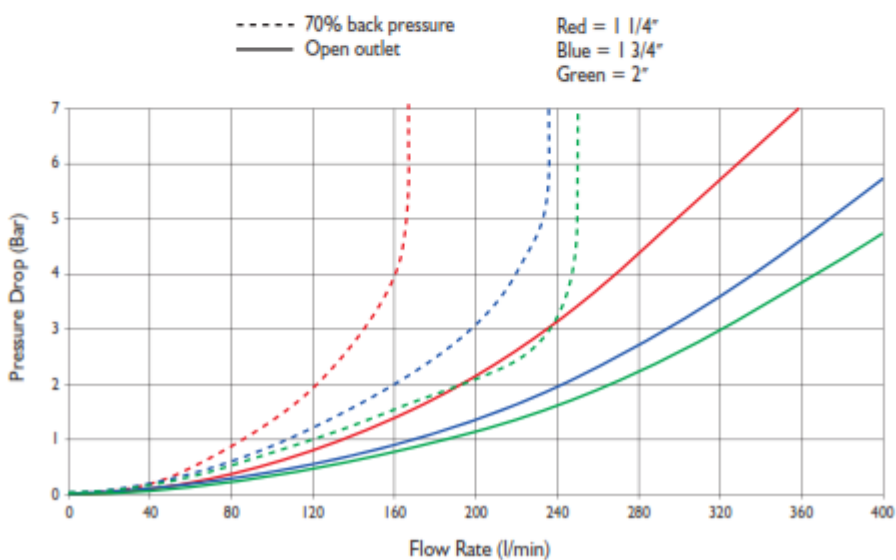
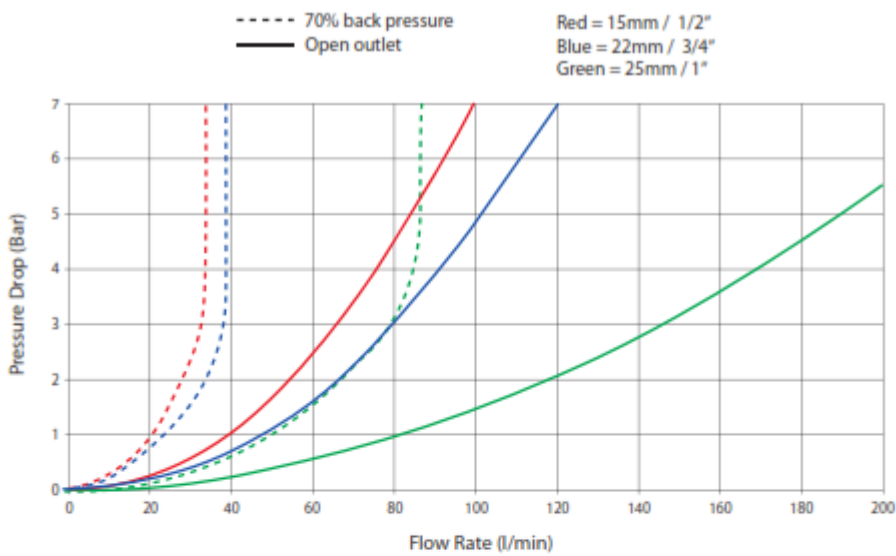
Dimensions

Component	Material
Body	DZR Brass
Seals	EPDM
Internal Components	DZR Brass
Strainer	Stainless Steel
Diaphragm	EPDM
Cover	ABS

Materials

WRAS
DVGW
BSEN 1567
Max Fluid Temperature: 70°C
Max Inlet Pressure: 25 bar
Adjustable Pressure Range: 1.5 – 6 bar
Pressure Reduction Ratio: 10:1 max

Specification



Pressure Reducing Valve Sizing Guide

Size DN	Residential Building	Commercial Building
	Max flow rate Vs	Max flow rate Vs
	l/s	l/s
15	0.5	0.5
20	0.8	0.9
25	1.3	1.5
32	2	2.4
40	2.3	3.8
50	3.6	5.9
65	6.5	9.7
80	9	15.3
100	12.5	23.3

Valve Sizing



Herz Valves UK Ltd
 Progress House
 Moorfield Point
 Moorfield Road
 Guildford
 Surrey
 GU1 1RU

Tel 01483 502211
 Fax 01483 502025
 Sales@herzvalves.com
 www.herzvalves.com