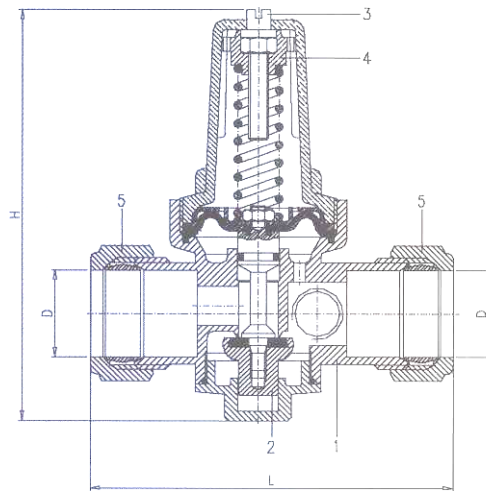


HERZ Pressure Reducing Valve PN25

Standard sheet for
HVPRVC (1008)



Component	Material	Type
Body	DZR Brass	CW602N
Shutter	DZR Brass	CW602N
Adjusting Screw	Galvanised Steel	
Spring Guide	Plastic	
Connections	Brass	CW614N
Diaphragm	NBR Elastomer Nylon Mesh	

Materials

Size	mm	15	22
D	mm	15	22
L	mm	86.5	92
H	mm	105	105

Dimensions

Maximum Flowrate		
Size (mm)	Flowrate (l/s)	Flowrate (l/m)
15	0.83	50
22	1.67	100

Specification

Max Fluid Temperature: 80°C

Max inlet Pressure: 25 bar

Adjustable Pressure Range: 1 – 6 bar



Herz Valves UK Ltd
Progress House
Moorfield Point
Moorfield Road
Guildford
Surrey
GU1 1RU

Tel 01483 502211
Fax 01483 502025

Sales@herzvalves.com

www.herzvalves.com