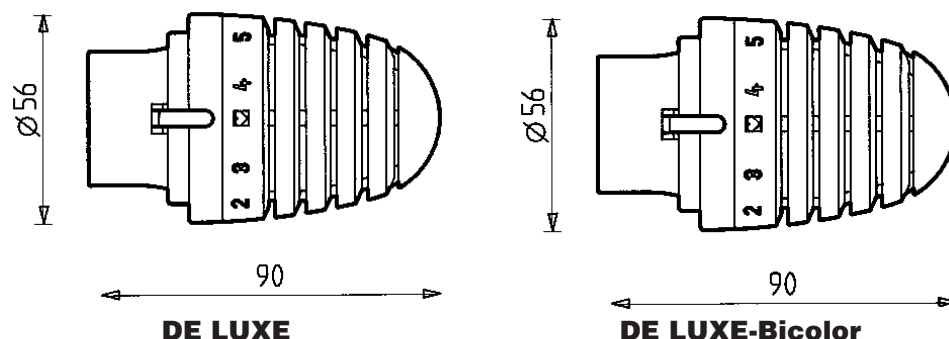


HERZ Thermostats "DE LUXE"

Data Sheet for
9230 DL
Edition 0504 (0602)

This series includes HERZ-radiator thermostats, HERZ-TS-90-thermostatic valves and HERZ return valves. All components have a smooth special surface coat.
Separate standard sheets are available for HERZ "DE LUXE" thermostatic valves and return valves.

Valve Series
"DE LUXE"



Dimensions in mm

HERZ Radiator Thermostat "DE LUXE"

With hydrosensor (liquid filled), "0" position, frost safety limit temperature adjustable; cover- and securing rings

Thermostatic Heads
"DE LUXE"

HERZ Radiator Thermostat "DE LUXE"-Bicolor

With hydrosensor (liquid filled), "0" position, frost safety limit temperature adjustable; cover- and securing rings, ornamental ring in gold.

Colours	"DE LUXE" Thermostats	"DE LUXE" Bicolor Thermostats
Chrome	1 9230 41	1 9230 45
Anthracite (ruthenium-plated)	1 9230 42	1 9230 46
Gold	1 9230 43	-
White (RAL 9010)	1 9230 44	1 9230 47
Matt black	1 9230 49	1 9230 50

Order Numbers

Sanitary Colours	"DE LUXE" Thermostats
Pergamum	S 9230 01
Aegean	S 9230 02
Manhattan	S 9230 03
Edelweiss	S 9230 04
Calypso	S 9230 05
Bahama beige	S 9230 06
Greenwich	S 9230 07
Jasmine	S 9230 08
Natural	S 9230 09
Ultramarine blue (RAL 5002)	S 9230 10
Flame red (RAL 3000)	S 9230 11
Ruby red (RAL 3003)	S 9230 12
Signal blue (RAL 5005)	S 9230 13
Golden yellow (RAL 1004)	S 9230 14
Light ivory (RAL 1015)	S 9230 15

Order Numbers
Sanitary Colours

Special colours, combinations of colours, and alternative metal coatings are possible upon enquiry.

HERZ-thermostatic heads are maintenance-free.

Set value range: 6–30 °C
Frost safety limit temperature: 6 °C

Technical Data

We reserve the right to make modifications necessitated by technological progress.

HERZ Armaturen

Richard-Strauss-Straße 22 • A-1230 Wien
e-mail: office@herz-armaturen.com • www.herz-armaturen.com



HERZ-Thermostats "DE LUXE"

The HERZ-thermostat serves as a sensor and control element. The change in volume of the liquid contained in the HERZ-hydrosensor actuates the valve spindle.

The desired comfort temperature is selected by turning the hand wheel, and is kept constant by automatic opening and closing of the radiator valve.

When turning the thermostatic head anticlockwise the room temperature will rise, when turning it clockwise the temperature will go down.

Mode of Operation

By setting the scale marks opposite the pointer it is possible to achieve approximately the following temperatures in the room. Deviations of a few degrees of temperature (K) are possible according to the mode of installation and the design of the heating system.

Mark	*	1	2	3	<input checked="" type="checkbox"/>	4	5	6
~ °C	6	10	13	17,5	20	22	25	28

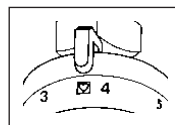
Setting Options

Hand Wheel Scale

Maximum Position

Turn thermostat anticlockwise up to the maximum position (pre-set by the manufacturer), corresponds to approx. 30 °C.

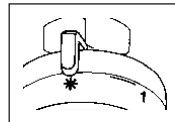
Position corresponds to a room temperature of approx. 20 °C. This means optimum comfort and energy saving.



Comfort Point



In the „*“-position, the valve opens automatically at an ambient temperature of approx. 6 °C, thus preventing the system from freezing up.

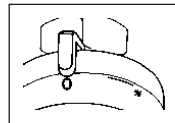


Frost Release



In the "0"-position the thermostatic valve is shut off and the frost release is turned off.

The thermostatic function is maintained.



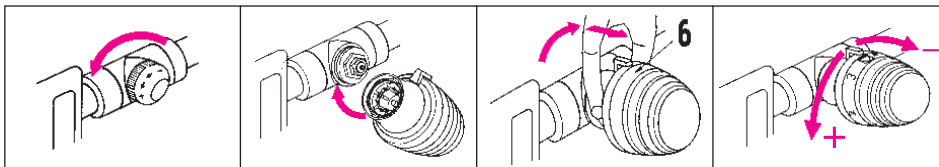
Shutoff Function

After the end of the heating period, open thermostats completely by turning anticlockwise to prevent the formation of dirt deposits at the valve seat

Summer Position

1. Remove screw cap from the thermostatic valve.
2. Place thermostatic head in completely open position (as delivered) on the valve lower part in such a way that the anti-twist lock engages and the pointer is clearly visible.
3. Slide cover sleeve and fastening nut towards the front, and fasten sleeve and fastening nut manually by turning clockwise.
4. Pull the cover sleeve back again.
5. Test for proper functioning by turning the hand wheel.

Installation



The HERZ-thermostat should not be covered (e.g. by heavy curtains or panelling). Furthermore, it must be ensured that the functioning of the thermostat element is not affected by any equipment emitting a relevant quantity of heat (e.g. TV sets). Perfect room temperature control will be possible only when the thermostat is in a position to sense the actual room temperature.

Important for Installation

HERZ "DE LUXE" thermostatic valves have a special surface coating. For cleaning use soft cloth or similar materials. Under no circumstances use any sharp-edged objects, abrasive detergents, household detergents, or chemical cleaning agents.

Cleaning