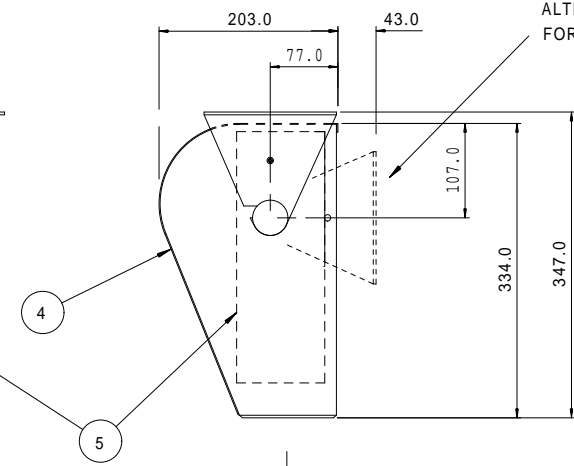
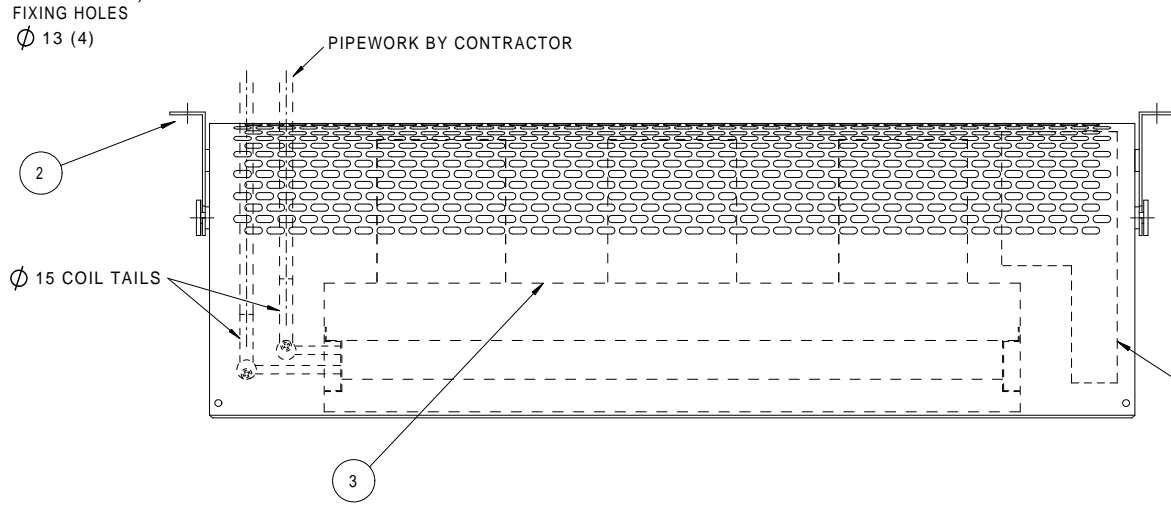
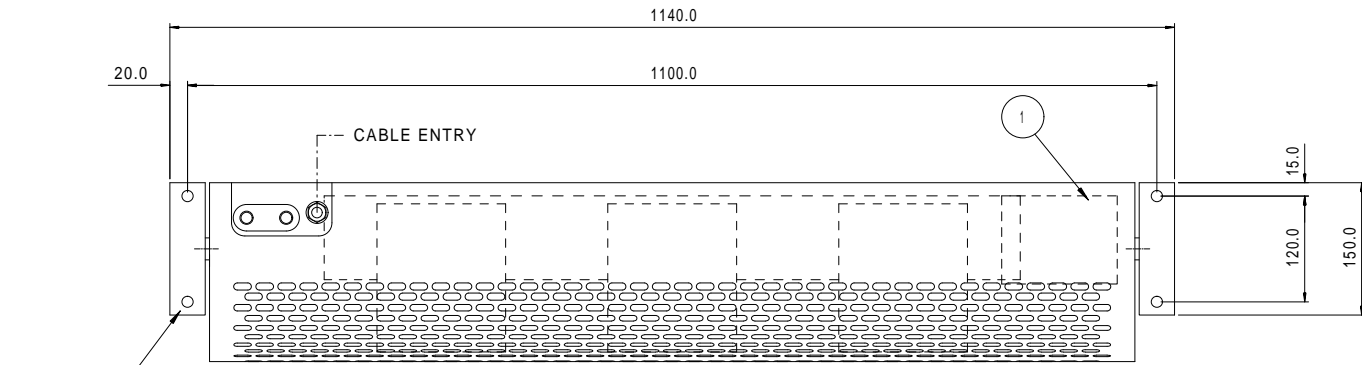
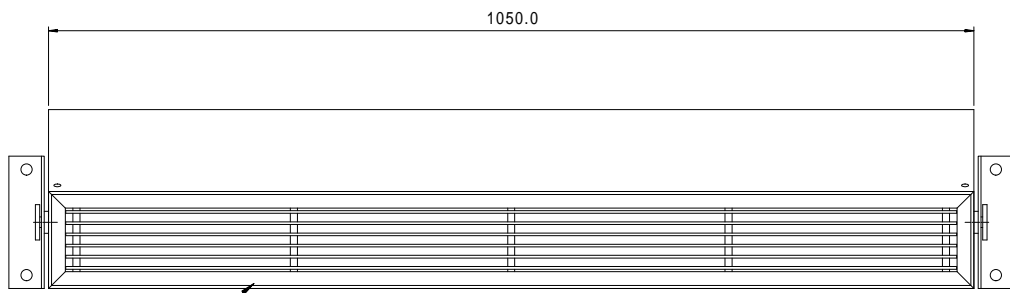


ITEM	DESCRIPTION
1	CABLE ENTRY
2	SUPPORT BRACKETS
3	FAN PLATE / CHASSIS
4	ACCESS PANEL
5	CONTROL BOX
6	DISCHARGE GRILLE



ALTERNATIVE POSITION FOR FIXING BRACKETS

DIRECTION OF AIRFLOW



NOTES:

1. GENERAL TOLERANCE ON OVERALL DIMENSIONS: +/-4mm.
2. OUTER CASING FINISHED IN POWDERCOAT PAINT (COLOUR SPECIFIED BY THE CUSTOMER)
3. DISCHARGE GRILLE PAINTED TO MATCH OUTER CASING.
4. UNIT WEIGHT = 26kg

REV.	MOD.NO.	DATE	DRN	CHKD	DRAWING TO B.S. 308:PARTS 1,2 AND 3.				SCALE	N.T.S.	DRAWN	RH	DIFFUSION 47 Central Avenue, West Molesey, Surrey, KT8 2QZ Telephone 020 8783 0033. Fax 020 8783 0140 email: diffusionheat@etenv.co.uk	
3	ADDITIONAL DIMENSIONS	27/10/04	RH		WELDING TERMS AND SYMBOLS TO B.S. 499:PART 2.				MAT'L		DATE	07/02/05	TITLE	GENERAL ARRANGEMENT - SALES AIRBOSS - OVER DOOR LPHW HEATER 1050mm LONG
2	REVISED TITLE	20/10/04	RH		GEOMETRIC TOLERANCE SYMBOLS						CHECKED			
1	REQ.3540	12/07/04	RH		CHARACTERISTIC SYM CHARACTERISTIC SYM				FINISH		DATE		JOB	STANDARD PRODUCT
					Straightness	—	Angularity	∠			ALL DIMENSIONS IN MM THIRD ANGLE PROJECTION			
					Flatness	∇	Run out	⌢						
					Roundness	⊘	Position	⊕						
					Cylindricity	⊘	Concentricity	◎						
					Profile of a line	⌒	Symmetry	≡						
					Profile of a surface	⌒	M.M.C.	Ⓜ	TOLERANCES UNLESS OTHERWISE STATED DIMENSIONAL ± 0,5 ANGULAR ± 1°					
					Parallelism	//	Squareness	⊥						
											APP'D		DRG.NO.	A1/17824