

ITEM	DESCRIPTION
1	COIL CONNECTIONS \varnothing 22mm OD FOR FLEXIBLE CONNECTIONS (LPHW ONLY)
2	KNOCK OUT DETAIL FOR FLEXIBLE PIPE ENTRY (REMOVE USING TIN SNIPS) (LPHW ONLY)
3	CABLE ENTRY \varnothing 25mm & \varnothing 12.7 HOLES INTO CONTROL BOX 'B'
4	FIXING HOLES \varnothing 13mm (6-POSITIONS) (SUITABLE WALL FIXINGS BY OTHERS)
5	ACCESS PANEL (2-POSITIONS')
6	CONTROL BOX (2-POSITIONS 'A' & 'B')
7	DISCHARGE GRILLE

OPTION:

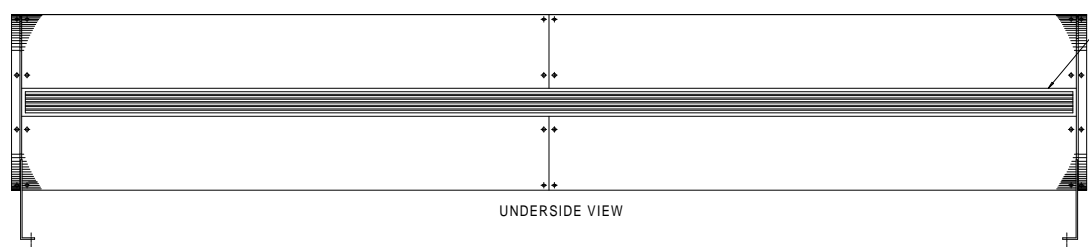
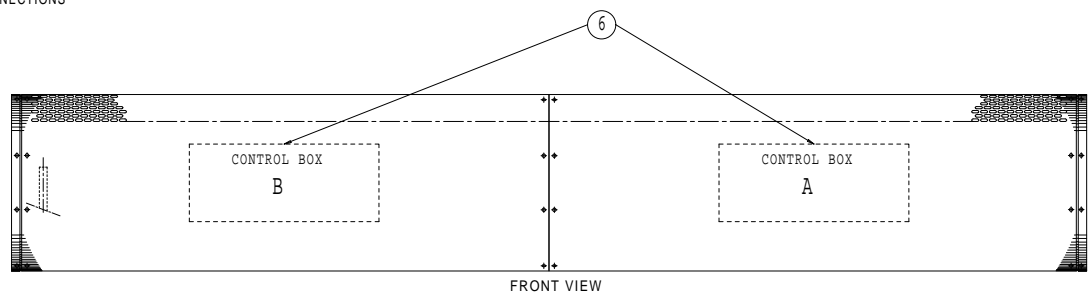
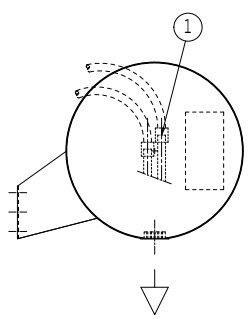
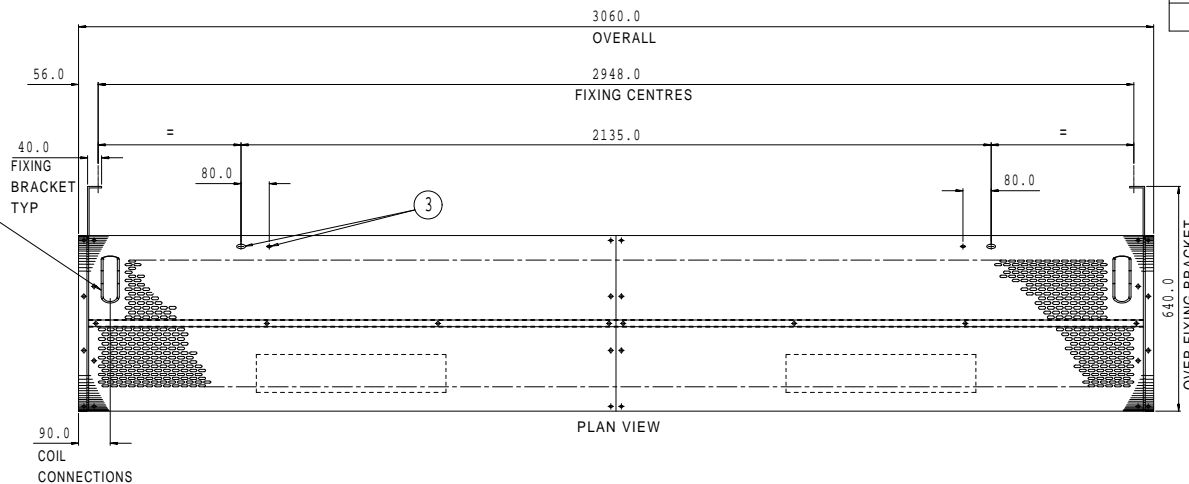
LPHW UNITS:

COIL TAILS CAN BE AT THE OPPOSITE END OF UNIT.
(MUST BE SPECIFIED AT TIME OF ORDER).

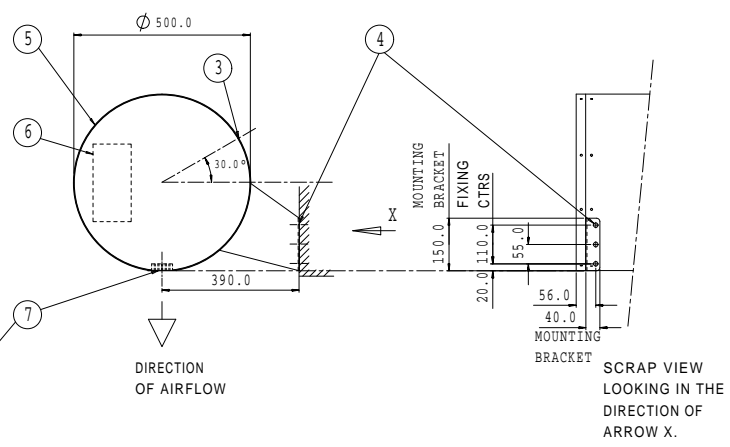
CONTROL BOX 'B' IS ALWAYS AT COIL TAILS END OF UNIT.

NOTES:

- GENERAL TOLERANCE ON OVERALL DIMENSIONS: +/-4mm.
- OUTER CASING FINISHED IN POWDERCOAT PAINT (COLOUR SPECIFIED BY THE CUSTOMER), OR BRUSHED STAINLESS STEEL.
- DISCHARGE GRILLE PAINTED TO MATCH OUTER CASING, OR WITH A NATURAL ANODISED ALUMINIUM FINISH.



UNIT	WEIGHT
3000 LPHW.	160Kg
3000 ELEC.	160Kg



The designs shown in these drawings are the original creations of Diffusion Environmental Systems which owns all the intellectual property rights therein. No reproduction may be made of the drawings nor may articles be made therefrom without prior written permission
ALL RIGHTS RESERVED
C Diffusion 2000

REV.	MOD.NO.	DATE	DRN	CHKD	DRAWING TO B.S. 308:PARTS 1,2 AND 3.		DRG SCALE: 1:1	PRINT SCALE: N.T.S.	DRAWN MW	DIFFUSION 47 Central Avenue, West Molesey, Surrey, KT8 2QZ Telephone 020 8783-0033. Fax 020 8783 0140 email: diffusionheat@etenv.co.uk																																							
4	'A' & 'B' CONTROL BOXES IDENTIFIED	18-04-11	MW		WELDING TERMS AND SYMBOLS TO B.S. 499:PART 2.					DATE 03-12-09	TITLE GENERAL ARRANGEMENT - SALES CHAMELEON 3000 LHPW/ELECTRIC CIRCULAR DOOR HEATER HORIZONTAL (ALTERNATIVE SIDE MOUNTED VERSION).																																						
MODIFICATION					<table border="1"> <thead> <tr> <th colspan="2">GEOMETRIC TOLERANCE SYMBOLS</th> <th colspan="2">ALL DIMENSIONS IN MM THIRD ANGLE PROJECTION</th> </tr> <tr> <th>CHARACTERISTIC</th> <th>SYM</th> <th>CHARACTERISTIC</th> <th>SYM</th> </tr> </thead> <tbody> <tr> <td>Straightness</td> <td>—</td> <td>Angularity</td> <td>∠</td> </tr> <tr> <td>Flatness</td> <td>∇</td> <td>Run out</td> <td>↗</td> </tr> <tr> <td>Roundness</td> <td>○</td> <td>Position</td> <td>⊕</td> </tr> <tr> <td>Cylindricity</td> <td>⊘</td> <td>Concentricity</td> <td>⊙</td> </tr> <tr> <td>Profile of a line</td> <td>⌒</td> <td>Symmetry</td> <td>≡</td> </tr> <tr> <td>Profile of a surface</td> <td>⌒</td> <td>M.M.C.</td> <td>⊖</td> </tr> <tr> <td>Parallelism</td> <td>∥</td> <td>Squareness</td> <td>⊥</td> </tr> </tbody> </table>			GEOMETRIC TOLERANCE SYMBOLS		ALL DIMENSIONS IN MM THIRD ANGLE PROJECTION		CHARACTERISTIC	SYM	CHARACTERISTIC	SYM	Straightness	—	Angularity	∠	Flatness	∇	Run out	↗	Roundness	○	Position	⊕	Cylindricity	⊘	Concentricity	⊙	Profile of a line	⌒	Symmetry	≡	Profile of a surface	⌒	M.M.C.	⊖	Parallelism	∥	Squareness	⊥	TOLERANCES UNLESS OTHERWISE STATED DIMENSIONAL \pm 0,5 ANGULAR \pm 1°		MAT'L		CHECKED	JOB
GEOMETRIC TOLERANCE SYMBOLS		ALL DIMENSIONS IN MM THIRD ANGLE PROJECTION																																															
CHARACTERISTIC	SYM	CHARACTERISTIC	SYM																																														
Straightness	—	Angularity	∠																																														
Flatness	∇	Run out	↗																																														
Roundness	○	Position	⊕																																														
Cylindricity	⊘	Concentricity	⊙																																														
Profile of a line	⌒	Symmetry	≡																																														
Profile of a surface	⌒	M.M.C.	⊖																																														
Parallelism	∥	Squareness	⊥																																														
3	ELECTRIC VERSION ADDED	06-04-11	MW						DATE	DRG.NO. A1/24538																																							
2	MIN. MOD.	31-03-10	MW						APP'D																																								
1	FIRST ISS	03-12-09	MW						DATE																																								