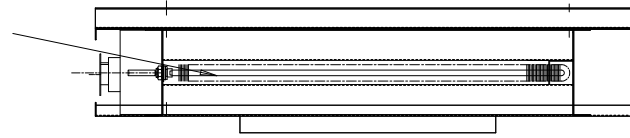


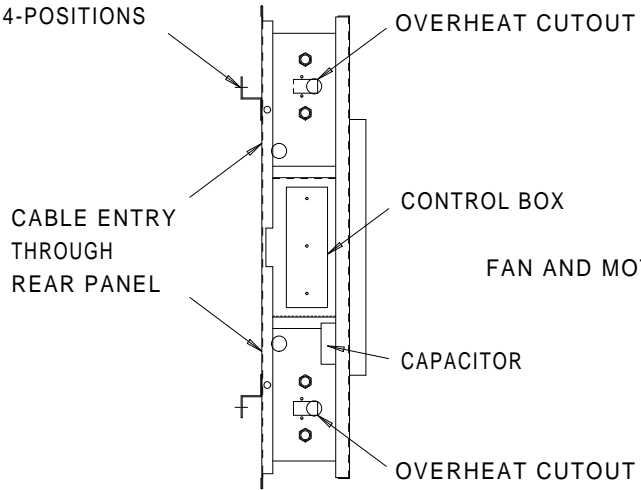
DO NOT SCALE

© COPYRIGHT RESERVED ET ENVIRONMENTAL LTD.

ELECTRIC HEATING ELEMENT

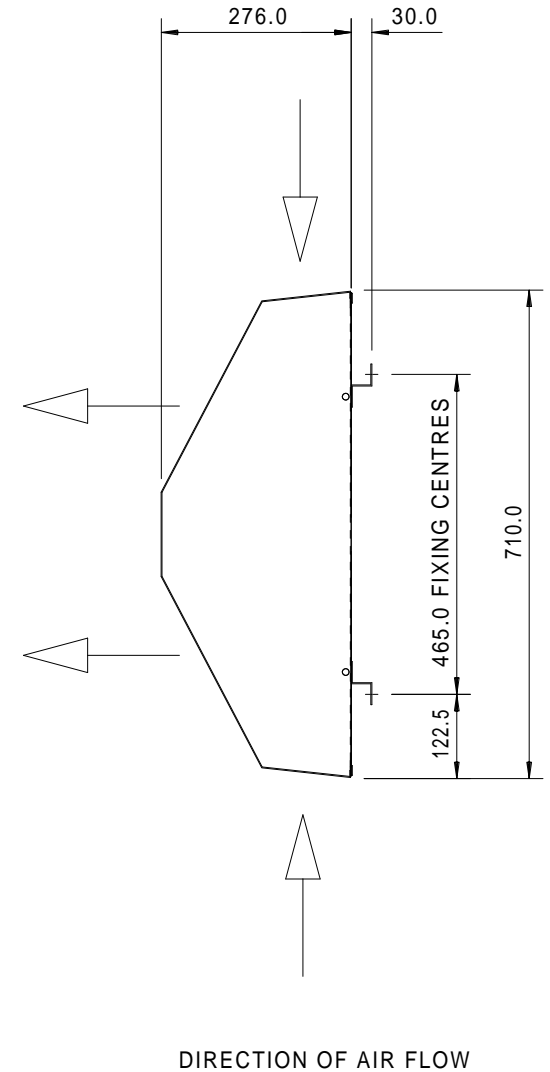
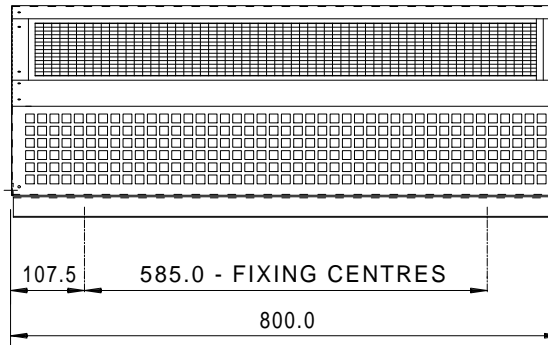
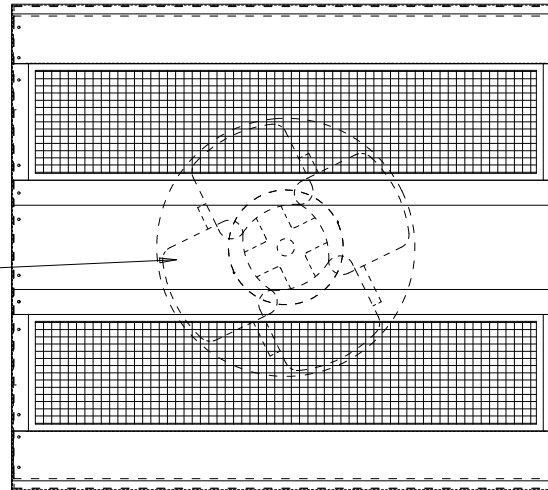


∅ 12.7  
FIXING HOLES  
4-POSITIONS



SHOWN WITH  
CASE REMOVED  
FOR CLARITY.

FAN AND MOTOR



DIRECTION OF AIR FLOW

REV.	MOD.NO.	DATE	DRN	CHKD	DRAWING TO B.S. 308:PARTS 1,2 AND 3.	SCALE	NTS	DRAWN DD	DIFFUSION ENVIRONMENTAL LTD																																
1	FIRST ISS.	17-04-08	DD		WELDING TERMS AND SYMBOLS TO B.S. 499:PART 2.	MAT'L		DATE 17-04-08	47 Central Avenue, West Molesey, Surrey, KT8 2QZ Telephone 020 8783-0033. Fax 020 8783-0140																																
MODIFICATION					<table border="1"> <thead> <tr> <th>CHARACTERISTIC</th> <th>SYM</th> <th>CHARACTERISTIC</th> <th>SYM</th> </tr> </thead> <tbody> <tr> <td>Straightness</td> <td>—</td> <td>Angularity</td> <td>∠</td> </tr> <tr> <td>Flatness</td> <td>∥</td> <td>Run out</td> <td>↗</td> </tr> <tr> <td>Roundness</td> <td>○</td> <td>Position</td> <td>⊕</td> </tr> <tr> <td>Cylindricity</td> <td>∅</td> <td>Concentricity</td> <td>⊙</td> </tr> <tr> <td>Profile of a line</td> <td>∩</td> <td>Symmetry</td> <td>≡</td> </tr> <tr> <td>Profile of a surface</td> <td>∩</td> <td>M.M.C.</td> <td>Ⓜ</td> </tr> <tr> <td>Parallelism</td> <td>∥</td> <td>Squareness</td> <td>⊥</td> </tr> </tbody> </table>	CHARACTERISTIC	SYM	CHARACTERISTIC	SYM	Straightness	—	Angularity	∠	Flatness	∥	Run out	↗	Roundness	○	Position	⊕	Cylindricity	∅	Concentricity	⊙	Profile of a line	∩	Symmetry	≡	Profile of a surface	∩	M.M.C.	Ⓜ	Parallelism	∥	Squareness	⊥	<p>ALL DIMENSIONS IN MM THIRD ANGLE PROJECTION</p> <p>TOLERANCES UNLESS OTHERWISE STATED DIMENSIONAL ± 0,5 ANGULAR ± 1°</p>	FINISH	APP'D .	TITLE
CHARACTERISTIC	SYM	CHARACTERISTIC	SYM																																						
Straightness	—	Angularity	∠																																						
Flatness	∥	Run out	↗																																						
Roundness	○	Position	⊕																																						
Cylindricity	∅	Concentricity	⊙																																						
Profile of a line	∩	Symmetry	≡																																						
Profile of a surface	∩	M.M.C.	Ⓜ																																						
Parallelism	∥	Squareness	⊥																																						
									SALES G.A. MODELS SRE 3KW & SRE 6KW																																
									JOB STANDARD																																
									DRG.NO. A1/22505																																