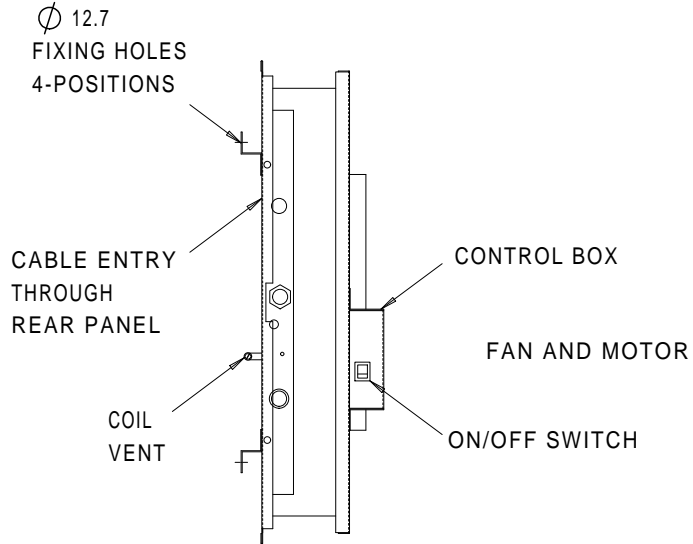
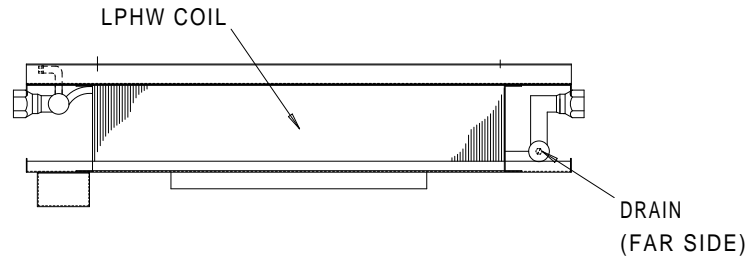


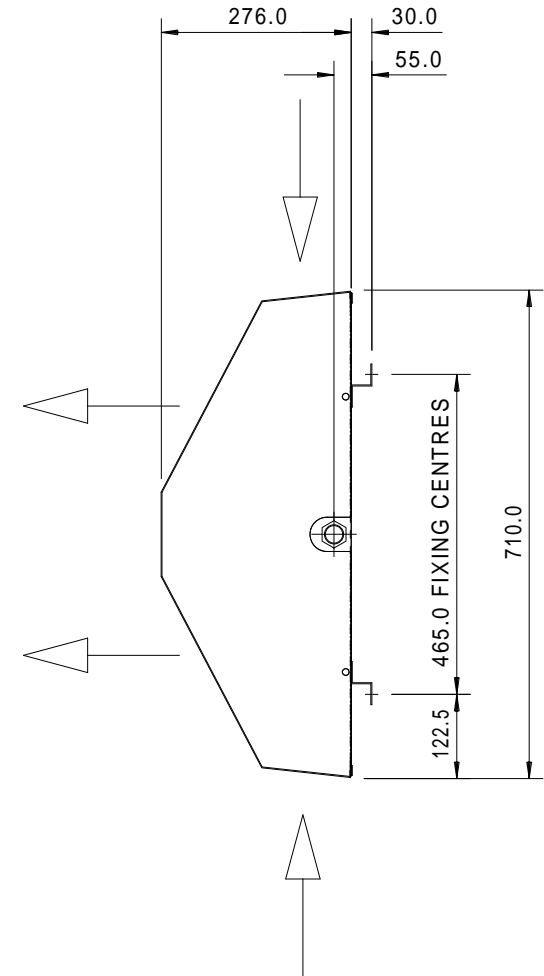
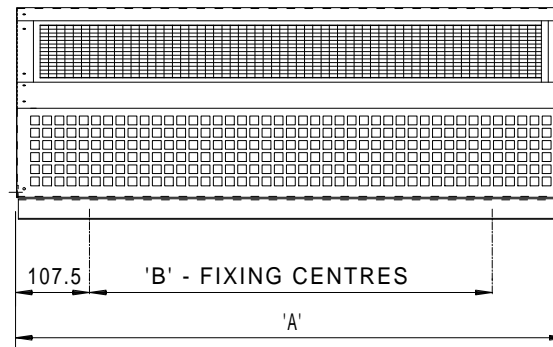
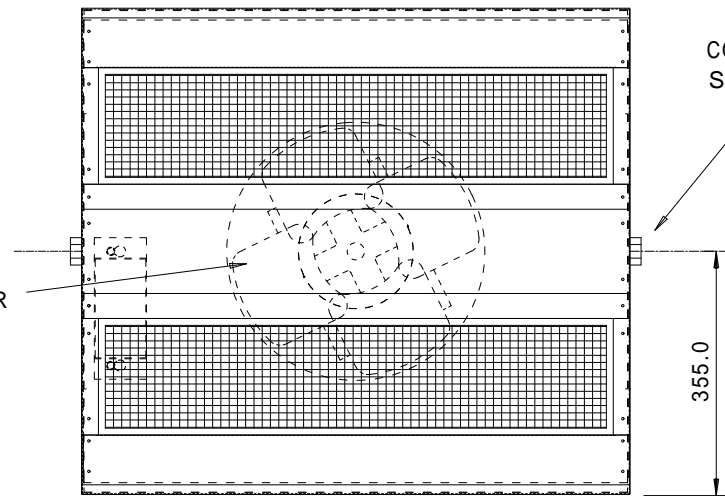
DO NOT SCALE

© COPYRIGHT RESERVED ET ENVIRONMENTAL LTD.

MODEL	'A'	'B'	CONNS. 'C'
SRW 5/22	600	385	3/4" BSP FEMALE
SRW 5/50	800	585	1" BSP FEMALE



SHOWN WITH  
CASE REMOVED  
FOR CLARITY.



REV.	MOD.NO.	DATE	DRN	CHKD	DRAWING TO B.S. 308:PARTS 1,2 AND 3.	SCALE	NTS	DRAWN DD	DIFFUSION ENVIRONMENTAL LTD		
1	FIRST ISS.	04-03-08	DD		WELDING TERMS AND SYMBOLS TO B.S. 499:PART 2.	MAT'L		DATE 04-03-08	47 Central Avenue, West Molesey, Surrey, KT8 2QZ Telephone 020 8783-0033. Fax 020 8783-0140		
MODIFICATION					GEOMETRIC TOLERANCE SYMBOLS	ALL DIMENSIONS IN MM THIRD ANGLE PROJECTION	FINISH	DATE .	TITLE		
					CHARACTERISTIC SYM CHARACTERISTIC SYM				TOLERANCES UNLESS OTHERWISE STATED	APP'D .	SALES G.A. MODELS SRW-5/22 & SRW-5/50
					Straightness — Angularity ∠				DIMENSIONAL ± 0,5 ANGULAR ± 1°	DATE .	JOB STANDARD
					Flatness ▨ Run out ∕					DATE .	DRG.NO. A1/22314
					Roundness ○ Position ⊕						
					Cylindricity ∅ Concentricity ⊙						
					Profile of a line ∩ Symmetry ≡						
					Profile of a surface ∆ M.M.C. ⊖						
					Parallelism ∕∕ Squareness ⊥						