

# Distributors for Floor Heating Systems

## Rod-type distributor, Dimension 1

Data sheet for

**853X**

Issue 0210

- Rod-type distributor sets with shutoff- and thermostatic upper parts
- Rod-type distributor sets with thermostatic upper parts and top meter control inserts
- Single take-off sets (extension sets)
- Shut-off valves, straight and angle models
- Compression unions for copper, steel, and plastic pipes.

### System Components

#### Rod-Type Distributor Sets with Shutoff- and Thermostatic Upper Parts, 8531

Intake distributors with shutoff upper parts, return distributors with thermostatic upper parts, intake and return distributors in brass, with staggered take-offs, with bleed and draining functions, intake and return distributors with one end cap each, 2 distributor holding devices for wall or cabinet mounting.

Distributor connection by 1 female thread, pipe connection G 3/4

Order Number	Branch-offs per Distributor	Order Number	Branch-offs per Distributor
1 <b>8531</b> 03	3	1 <b>8531</b> 10	10
1 <b>8531</b> 04	4	1 <b>8531</b> 11	11
1 <b>8531</b> 05	5	1 <b>8531</b> 12	12
1 <b>8531</b> 06	6	1 <b>8531</b> 13	13
1 <b>8531</b> 07	7	1 <b>8531</b> 14	14
1 <b>8531</b> 08	8	1 <b>8531</b> 15	15
1 <b>8531</b> 09	9	1 <b>8531</b> 16	16

### Rod-Type Distributors with Shutoff- and Thermostatic Upper Parts

#### Rod-Type Distributor Sets with Thermostatic Upper Parts and Flow Meter Control Inserts

Intake distributors with flow meter control inserts, return distributors with thermostatic upper parts. intake and return distributors in brass, with staggered take-offs, with bleed and draining functions, intake and return distributors with 1 end cap each, 2 distributor holding devices for wall or cabinet mounting.

Distributor connection by 1 female thread, pipe connection G 3/4

Order Number	Branch-offs per Distributor	Order Number	Branch-offs per Distributor
1 <b>853X</b> 03	3	1 <b>853X</b> 10	10
1 <b>853X</b> 04	4	1 <b>853X</b> 11	11
1 <b>853X</b> 05	5	1 <b>853X</b> 12	12
1 <b>853X</b> 06	6	1 <b>853X</b> 13	13
1 <b>853X</b> 07	7	1 <b>853X</b> 14	14
1 <b>853X</b> 08	8	1 <b>853X</b> 15	15
1 <b>853X</b> 09	9	1 <b>853X</b> 16	16

### Rod-Type Distributors with Thermostatic Upper Parts and Flow Meter Control Inserts

To be used as an extension set, distributors in brass with one branch per unit, including 2 couplings with 1 female thread, pipe connection G 3/4.

- 1 **8531** 93 **Single take-off Set with Shutoff and Thermostatic Upper Parts**  
Intake distributor with shutoff upper part, return distributor with thermostatic upper part.
- 1 **8532** 93 **Single take-off Set with Thermostatic Upper Part and Top Meter Regulating Insert**  
Intake distributors with top meter regulating inserts, return distributors with thermostatic upper parts.

### Single Branch Sets

- 1 **8537** 03 **1 Pair of Shut-off Valves, Straight Model**  
in brass, socket 1 female thread x short distributor connection, to be shut off by means of HERZ multi-purpose key 1 **6625** 00.
- 1 **8538** 03 **1 Pair of Shut-off Valves, Angle Model**  
in brass, staggered design thanks to distributor connections of different lengths, socket 1 female thread x short/long distributor connection, to be shut off by means of HERZ multi-purpose key 1 **6625** 00.

### Shut-off Valves

- 7940** HERZ Room temperature controller RTC  
**7990** DDC actuating drive  
**7790, 7791** HERZ Electronic room temperature controller RTR  
**3 F79X** Wireless control system  
**7710, 7708** Actuating drives for 2 point or pulse control

### Control

We reserve the right to make modifications in line with progress in engineering

HERZ Armaturen

Richard-Strauss-Straße 22 • A-1230 Wien  
e-mail: office@herz-armaturen.com • www.herz-armaturen.com





### Shut-off Upper Parts

The shut-off upper parts are operated by means of a 5-mm Allen key (1 6614 00). The intake is shut off by turning clockwise up to the stop.

### Thermostatic Upper Parts

Set the thermostat to the "min" position or shut off by means of hand wheel or protective cap for building work.

### Flow Meter Control Inserts

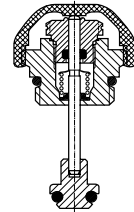
1 6819 32 key fits on the top of the flow meter and closes by turning clockwise.

Any HERZ thermostat with remote control, components or the electronic control systems HERZ-RTC (room temperature computers, DDC actuating drives) or HERZ RTR (room thermostats, thermal actuators) can be used for controlling the thermostatic upper parts.

The thermostatic upper parts are supplied with a protective cap for building work which serves for protection and actuating during the building phase (pipe flushing). If, in exceptional cases no thermostat is installed use the HERZ hand wheel for operation.

### Shutting off the Heating Circuits

### Thermostatic Operation



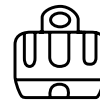
Flow meter control inserts are always installed in the flow. The flow rate can be set directly (l/sec scale).

Adjustment: for each distributor set is one pre-setting key 1 6819 32 included.

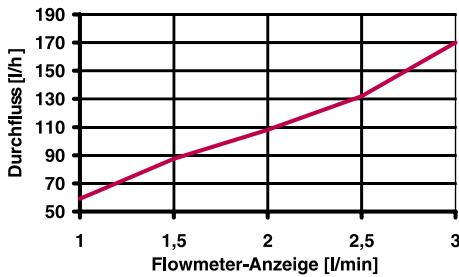
For adjustment, fit the key to the flow meter and turn until the desired flow rate is achieved.

### Flow Meter

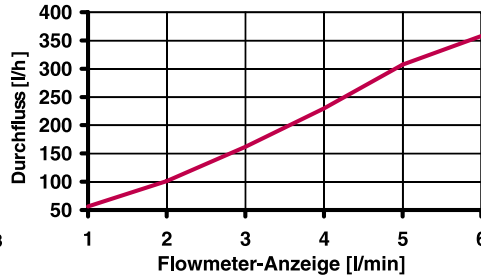
### Setting



8532



8533



Both, the intake and return distributors feature a draining valve with an G = 3/4 connection thread for a hose connection element (1 6206 01). The hand wheel is operated with finger strength to open and close the drain valve.

### Draining

Both, the intake and return distributors feature a bleed valve which is actuated by means of the HERZ multi-purpose key 1 6625 00.

### Bleeding

8569 A separate standard sheet is available for HERZ distributor cabinets.

8570

8571

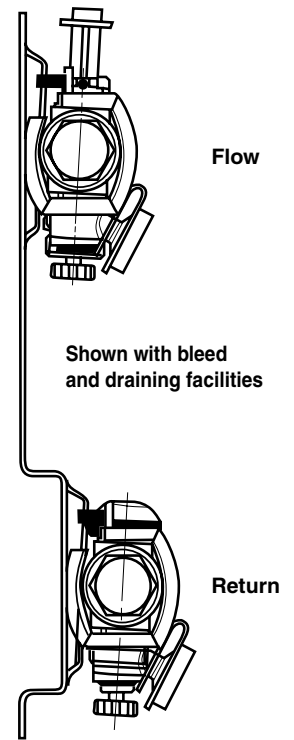
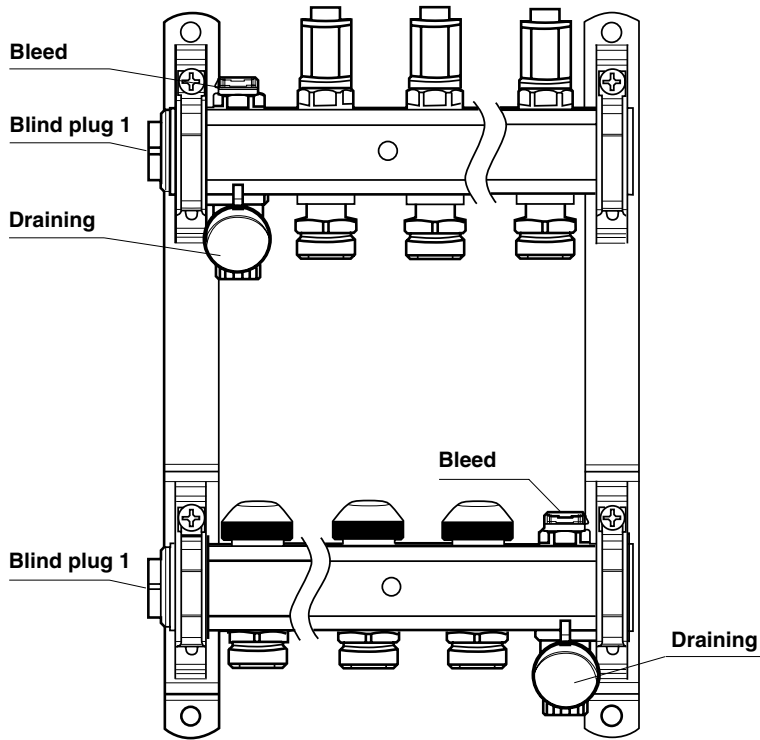
8572

### Distributor Cabinets

- 1 851X 93 Cast modul distributor
- 1 8531 22 ... 32 Rod-type distributor
- 8574 Pre-assembled distributor system
- 8575 Pre-assembled distributor system
- 8576 Pre-assembled distributor system
- 3 F532 Pre-assembled control station KlimEasy Simple
- 3 F533 Pre-assembled control station KlimEasy Combi
- 8100 Floor heating control set and FloorFix

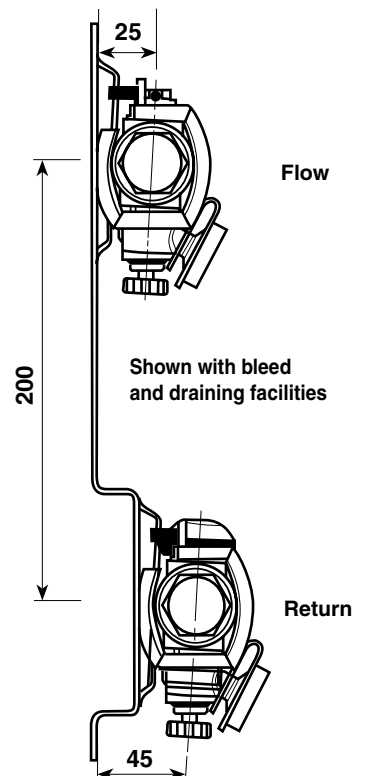
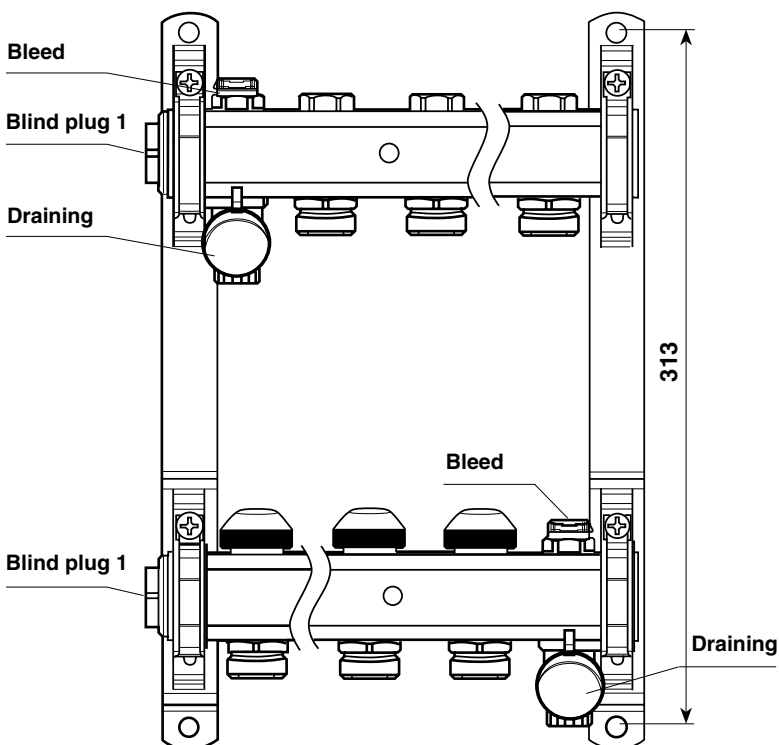
### Other HERZ distributor models

### 8532 / 8533



Distributor - outlets	Length L	Distributor - outlets	Length L
1 853X 03	221	1 853X 10	571
1 853X 04	271	1 853X 11	621
1 853X 05	321	1 853X 12	671
1 853X 06	371	1 853X 13	721
1 853X 07	421	1 853X 14	771
1 853X 08	471	1 853X 15	821
1 853X 09	521	1 853X 16	871

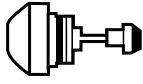
### 8531



1 6614 00



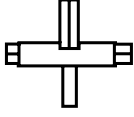
1 6403 31



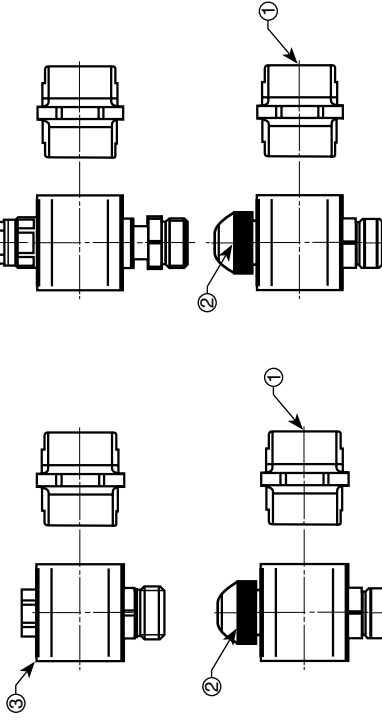
1 6413 01



1 6625 00



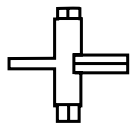
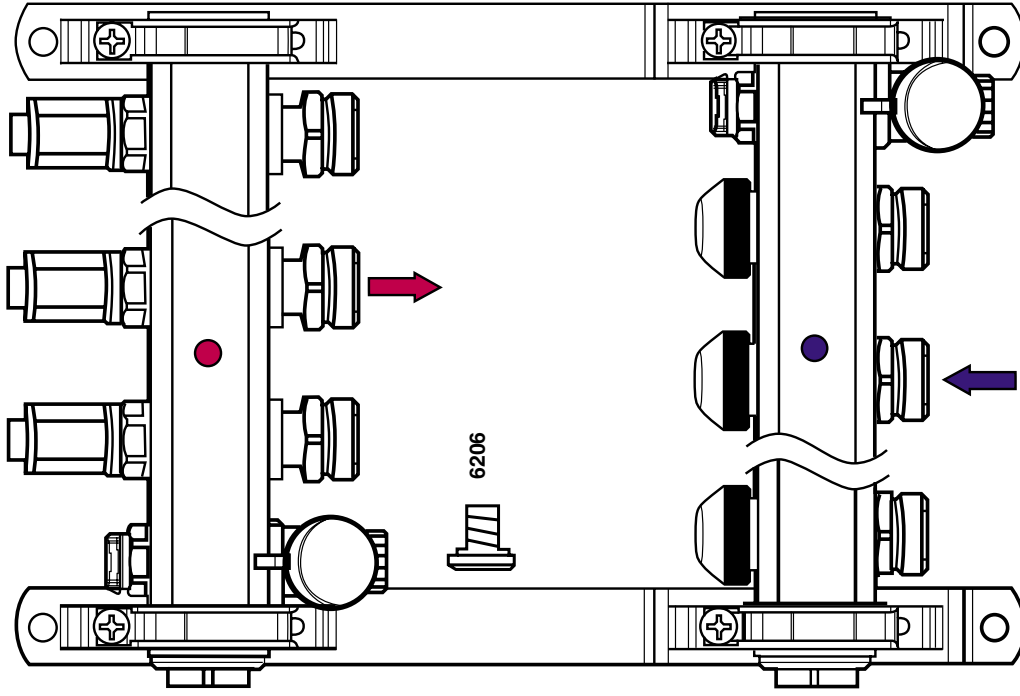
Pre-setting key is included



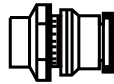
6098



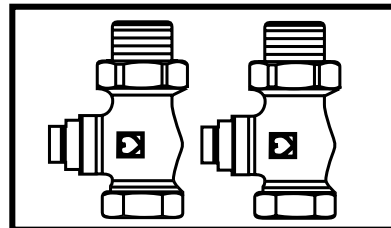
6274  
6275  
6276



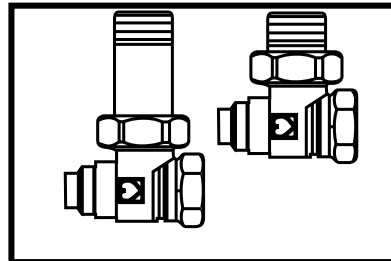
1 6625 00



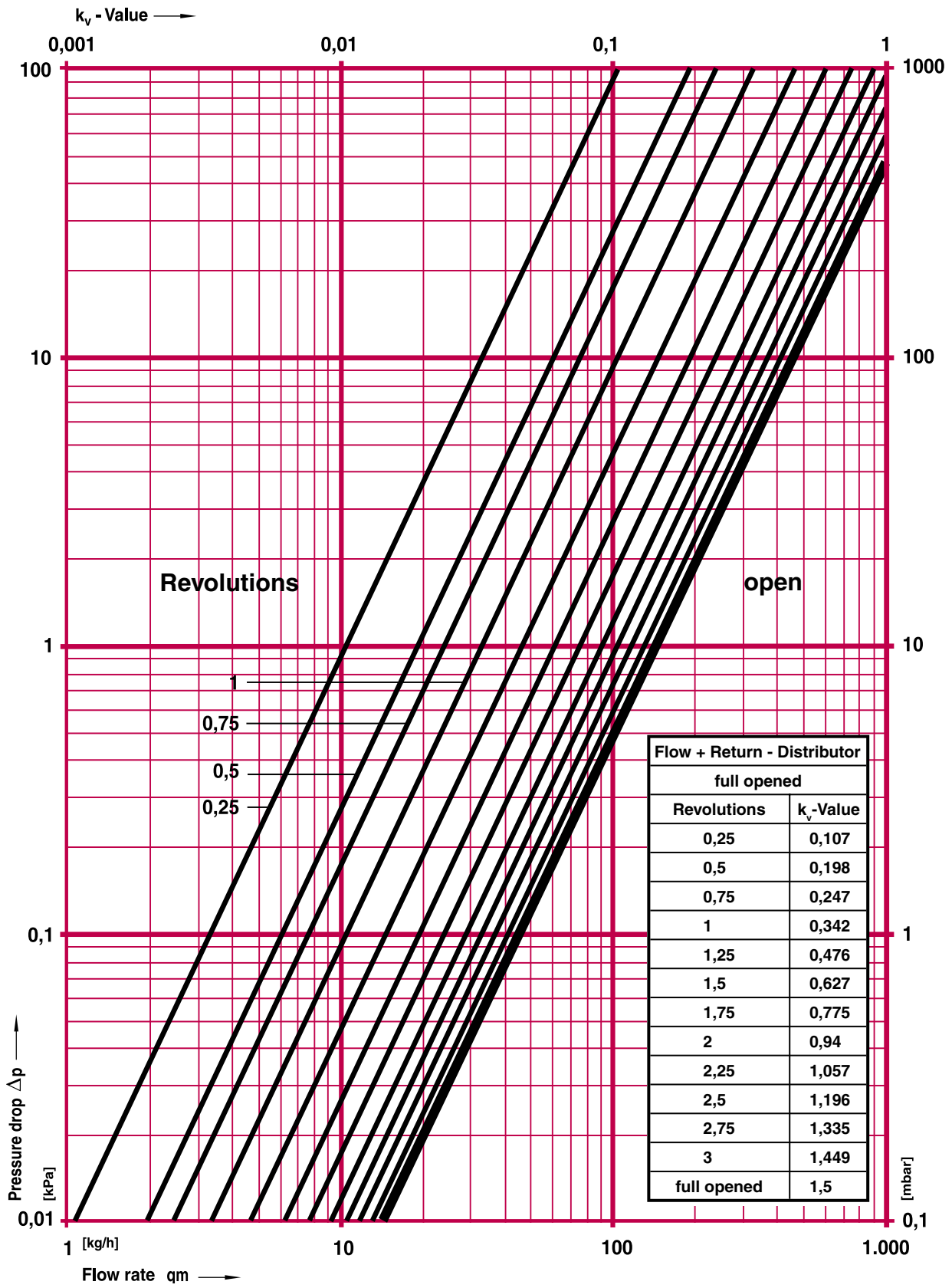
1 6301 00



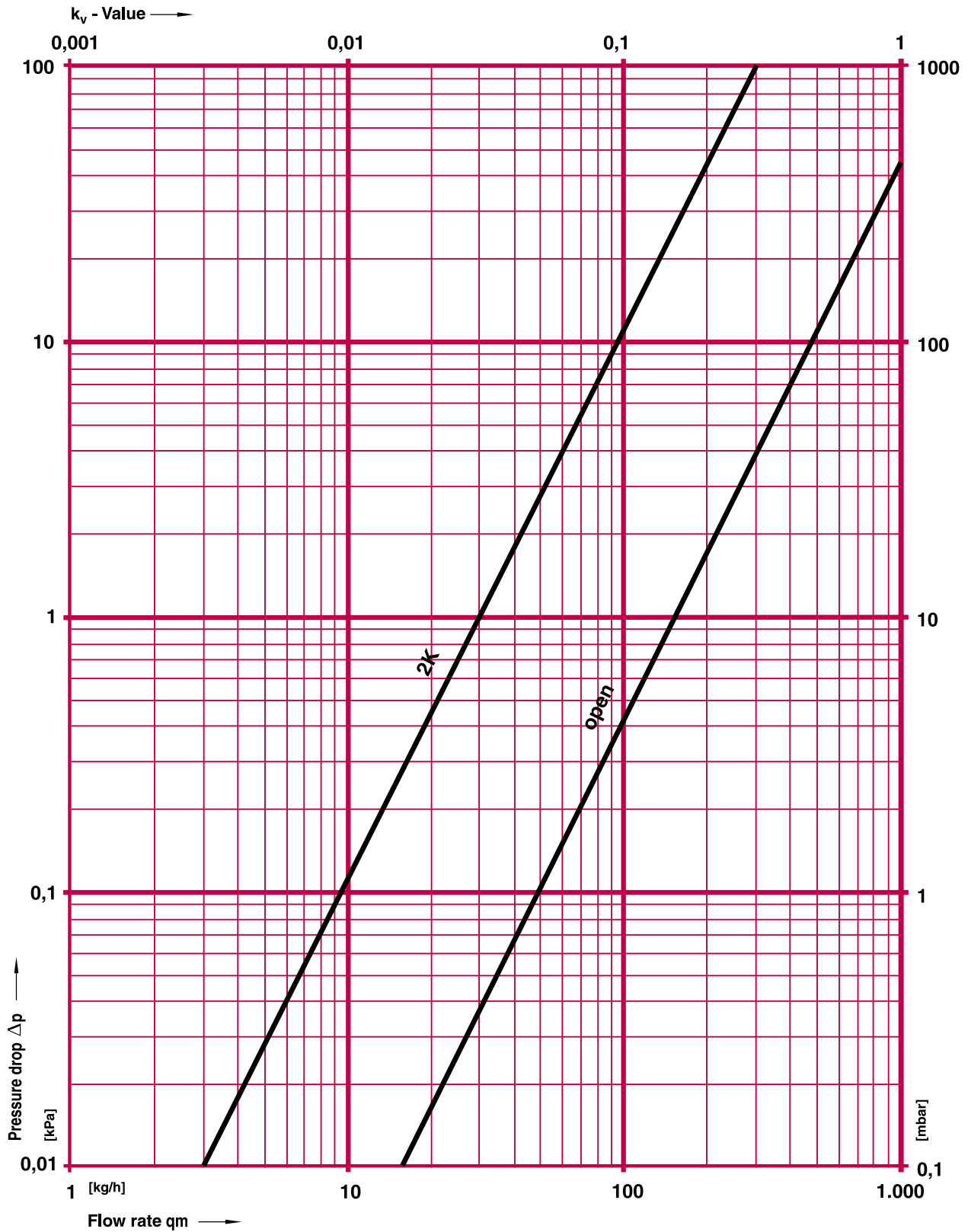
1 8537 03



1 8538 03



Subject to change without notice



2 K	Kv 0.3	e.g. for HERZ thermostats <b>7330, 9330</b> , HERZ-ETK <b>8330</b>
open	Kv 1.5	e.g. for HERZ thermal actuator <b>7710</b>

Subject to change without notice

1	4217 GM
2	4217 GR
3	4117 M
4	4115
5	4007
6	7763
7	7990 + 1 7708 98
8	7790 (Sauter NRT300F061)
9	4037
10	7712
11	7793
12	7793 01
13	7793 00
14	8441, 8541
15	7728
16	7230, 9230, 9200, 9860
17	3924
18	7175
19	7783
20	3066
21	7767
22	7710
23	9102
24	8532
25	7790 (Sauter NRT300F041)
26	1 7420 06 *)
27	1 7737 91 *)
28	1 5537 01 *)
29	1 8100 180 *)
30	4111
31	Circulation pump
32	Non-return valve
33	4004
34	9330
35	8100 Floor-fix

\*) Set 8100

All specifications and statements within this brochure are according to information available at the time of printing and meant for informational purpose only. Herz Armaturen reserves the right to modify and change products as well as its technical specifications and/or its functioning according to technological progress and requirements. It is understood that all images of Herz products are symbolic representations and therefore may visually differ from the actual product. Colours may differ due to printing technology used. In case of any further questions don't hesitate to contact your closest HERZ Branch-office.

