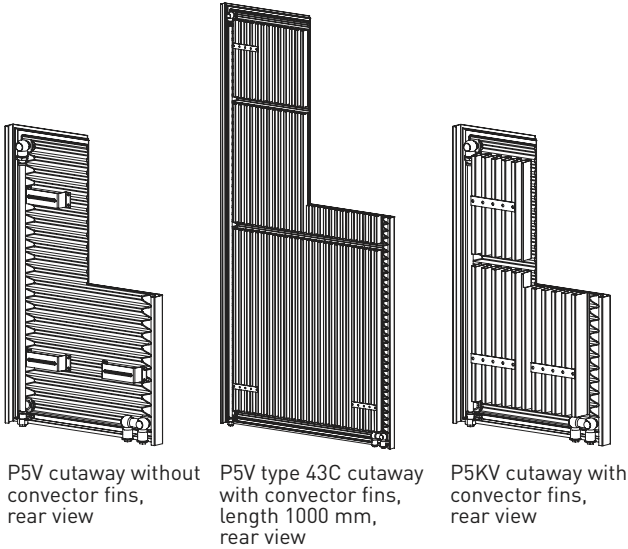


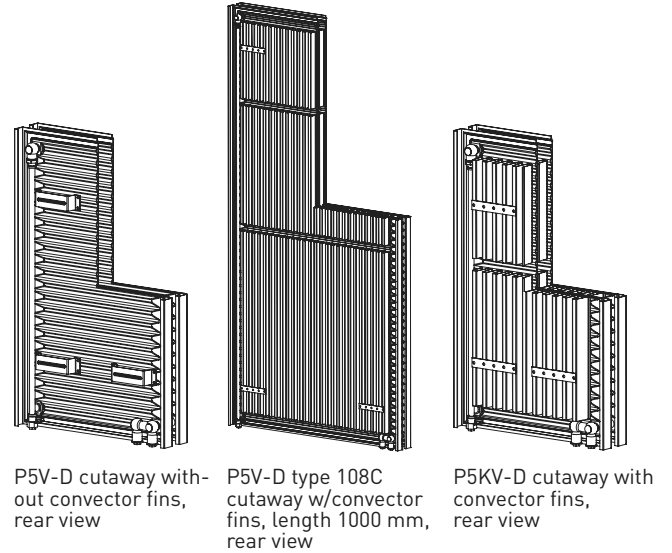
# P5V/P5KV



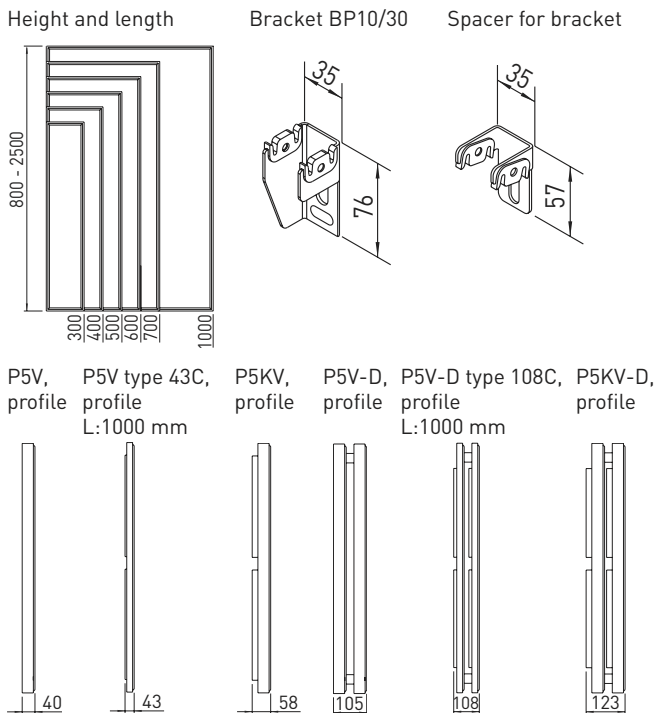
## P5V - single



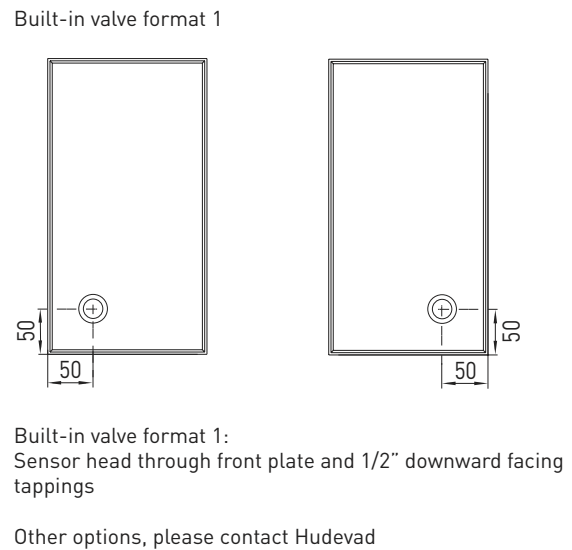
## P5V - double



## P5V - single and double



## P5V - single and double with built-in valve



<b>Length</b>	P5V/P5KV and P5V-D/P5KV-D: 300, 400, 500, 600, 700 and 1000 mm Types 43C/108C only available in 1000 mm length
<b>Height</b>	P5V/P5KV and P5V-D/P5KV-D: 800-2500 mm, with sections in increments of 33.33 mm Heights between 2500 and 4000 mm are available
<b>Depth</b>	P5V: 40 mm, P5KV: 58 mm P5V-D: 105 mm, P5KV-D: 123 mm

<b>Tappings</b>	1/2" standard, adapter for 3/8" and 3/4"
<b>Mounting</b>	Wall mounted Brackets are included Air vent is included
<b>Colour</b>	Powder coated in white RAL 9010. Gloss 70 Option: Painted in other standard RAL and BS colours
<b>Options</b>	- Model UR-flex - Towel rails/towel pegs

Subject to technical modifications and typographical errors – and to changes in the product range. Find the latest updates on [www.hudevad.com](http://www.hudevad.com).



# P5V/P5KV



## Output - single

Output for radiator height 1000 mm

P5V Length mm	Output		Water content litres/ metre	Weight kg/ metre
	W/metre 75°/65°/20°	W/metre 90°/70°/20°		
300	325	409	0.8	8.1
400	434	545	1.1	10.8
500	542	681	1.4	13.5
600	651	817	1.6	16.1
700	759	953	1.9	18.8
1000	1084	1362	2.7	26.9

P5KV Length mm	Output		Water content litres/ metre	Weight kg/ metre
	W/metre 75°/65°/20°	W/metre 90°/70°/20°		
300	402	505	0.8	10.8
400	536	673	1.1	14.4
500	670	841	1.4	18.0
600	804	1009	1.6	21.6
700	937	1177	1.9	25.2
1000	1339	1682	2.7	36.0

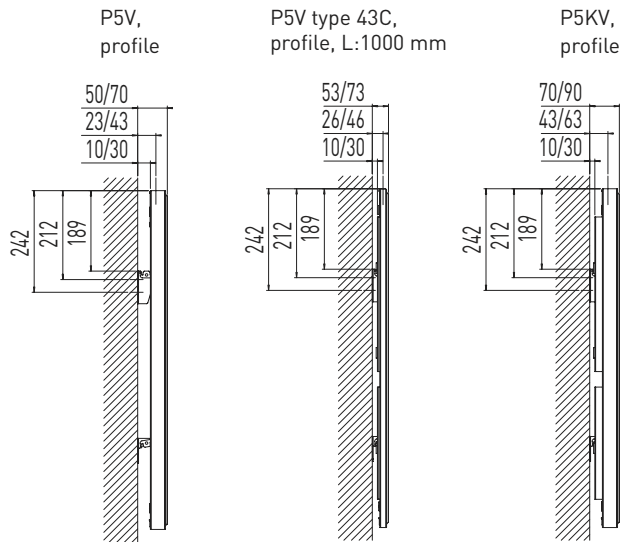
## Output - double

Output for radiator height 1000 mm

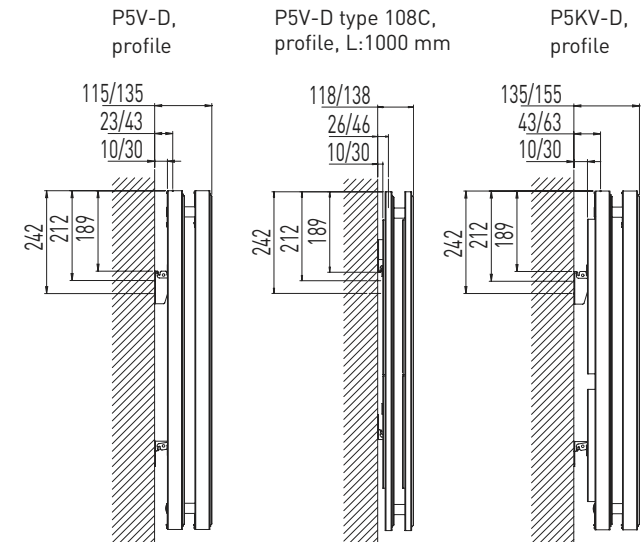
P5V-D Length mm	Output		Water content litres/ metre	Weight kg/ metre
	W/metre 75°/65°/20°	W/metre 90°/70°/20°		
300	540	680	1.6	16.1
400	720	906	2.2	21.5
500	900	1133	2.7	26.9
600	1080	1359	3.2	32.3
700	1260	1586	3.8	37.7
1000	1800	2265	5.4	53.8

P5KV-D Length mm	Output		Water content litres/ metre	Weight kg/ metre
	W/metre 75°/65°/20°	W/metre 90°/70°/20°		
300	724	914	1.6	21.6
400	965	1219	2.2	28.8
500	1207	1524	2.7	36.0
600	1448	1829	3.2	43.2
700	1689	2133	3.8	50.4
1000	2413	3048	5.4	72.0

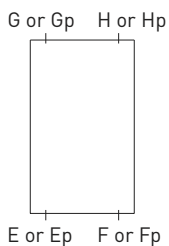
## Build-in dimensions - single



## Build-in dimensions - double

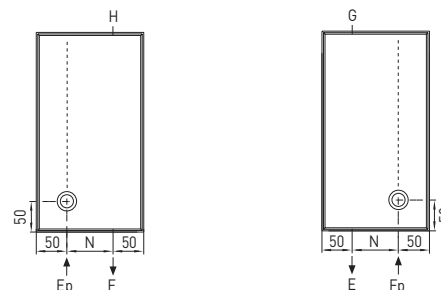


## Tapping designation - single and double



Tapping designation, flow and return  
Standard tappings: 1/2" EEFpG

## Tapping designation - single and double with built-in valve



Built-in valve formats 1 and 3 can be delivered as follows:

- Downward facing tappings, 2E (left) or 2F (right)
- Downward facing tappings, EF
- Other options, please contact Hudevad