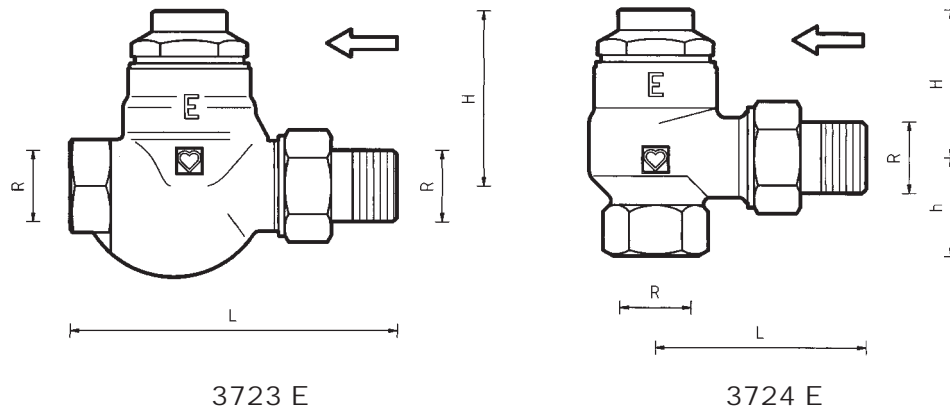


HERZ-RL-1-E

Return Valves with Maximum Flow Rate for One-Pipe Systems

Standard Sheet for
3723 E/3724 E
Edition 0700 (0100)



Dimensions in mm

Order Number	Designation	DN	R	L	H	h
1 3723 01	Straight model	15	1/2"	95	43	-
1 3723 02		20	3/4"	109	43	-
1 3723 03		25	1"	126	43	-
1 3724 01	Angle model	15	1/2"	62	43	29
1 3724 02		20	3/4"	66	35	29
1 3724 03		25	1"	75	35	34

Standard models with nickel-plated threaded sockets.

Models

Maximum operating temperature 110 °C
Maximum operating pressure 10 bar
Hot water purity according to ÖNORM H 5195 and/or VDI guideline 2035

Operating Data

Water heating systems.
Installation of the return valve permits shutting off the return connection of the radiator. When the intake valve is shut at the same time, the radiator can be removed while the system is under pressure.

Field of Application

R 1/2", R 3/4" Iron pipe connection 6210 with cone seal, installed
It is recommended to use HERZ assembly key 6680.
R 1" Iron pipe connection 6209 with cone seal, installed.

Radiator Connection

Shutting off
The valve is shut off or opened by turning the spindle by means of the HERZ multi-purpose key 1 6625 00 or an 8 mm Allen key.

Special Design Features

Seat Seal
The seat seal is a soft seal.

Spindle Seal
Sealing of the valve spindle towards outside is achieved by means of a double O-ring. This ensures ease of operation up to the specified operating temperature and makes the valve maintenance-free for its entire service life.

1 6625 00 Multi-purpose key for actuating the valve spindle
1 6680 00 Assembly key for connections

Accessories

We reserve the right to make modifications necessitated by technological progress.

HERZ Armaturen

Richard-Strauss-Straße 22 • A-1230 Wien

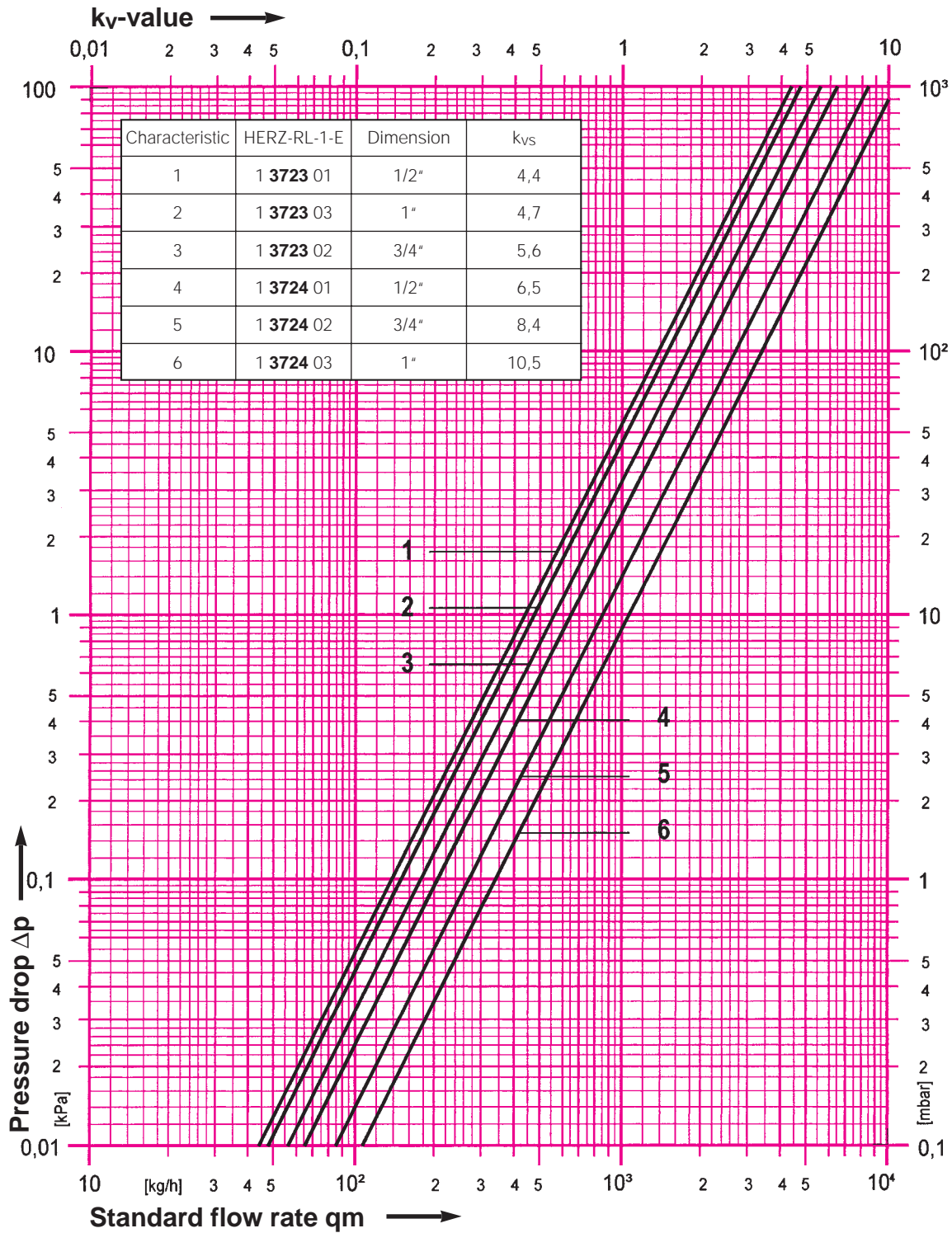


HERZ-Standard Diagram

HERZ-RL-1-E

Art. No. 3723 E • 3724 E

Dim. 1/2"-1"



We reserve the right to make modifications.

HERZ Armaturen

Richard-Strauss-Straße 22 • A-1230 Wien

