

Trench Heating/Cooling

Katherm HK

Heating and cooling to meet your personal needs

Katherm HK trenches are available as 2-pipe and 4-pipe units. The latter enable simultaneous heating and cooling in the building thanks to a parallel supply of hot (LPHW) and cold water (CHW) – for individual comfort in every single room.



Advantages



Overview



Details



Performance



Contact

KAMPMAN
Genau mein Klima.

Optimum performance thanks to a separating stream

A separating stream prevents the air being discharged from the air outlet being drawn back in by the fan (an „air short-circuit“) in heating and cooling mode. This means that the performance is significantly increased in comparison with conventional units.

High-performance with minimum energy consumption

The new EC technology is a revolution in electronic drive technology. It considerably enhances DC motor technology even at low output ranges and helps to save costs thanks to its low energy consumption.



KaControl as standard

Katherm HK have their own „intelligence“ thanks to factory-fitted KaControl control technology. This means that they can be integrated into KaControl networks or building automation systems, such as BACnet, Modbus or LON or operate as a Stand-alone control system.

Free choice of grilles

Katherm HK can be supplied as both roll-up grilles and linear grilles in several standard colours/finishes thanks to the individual coordination of the units to the exact configuration.

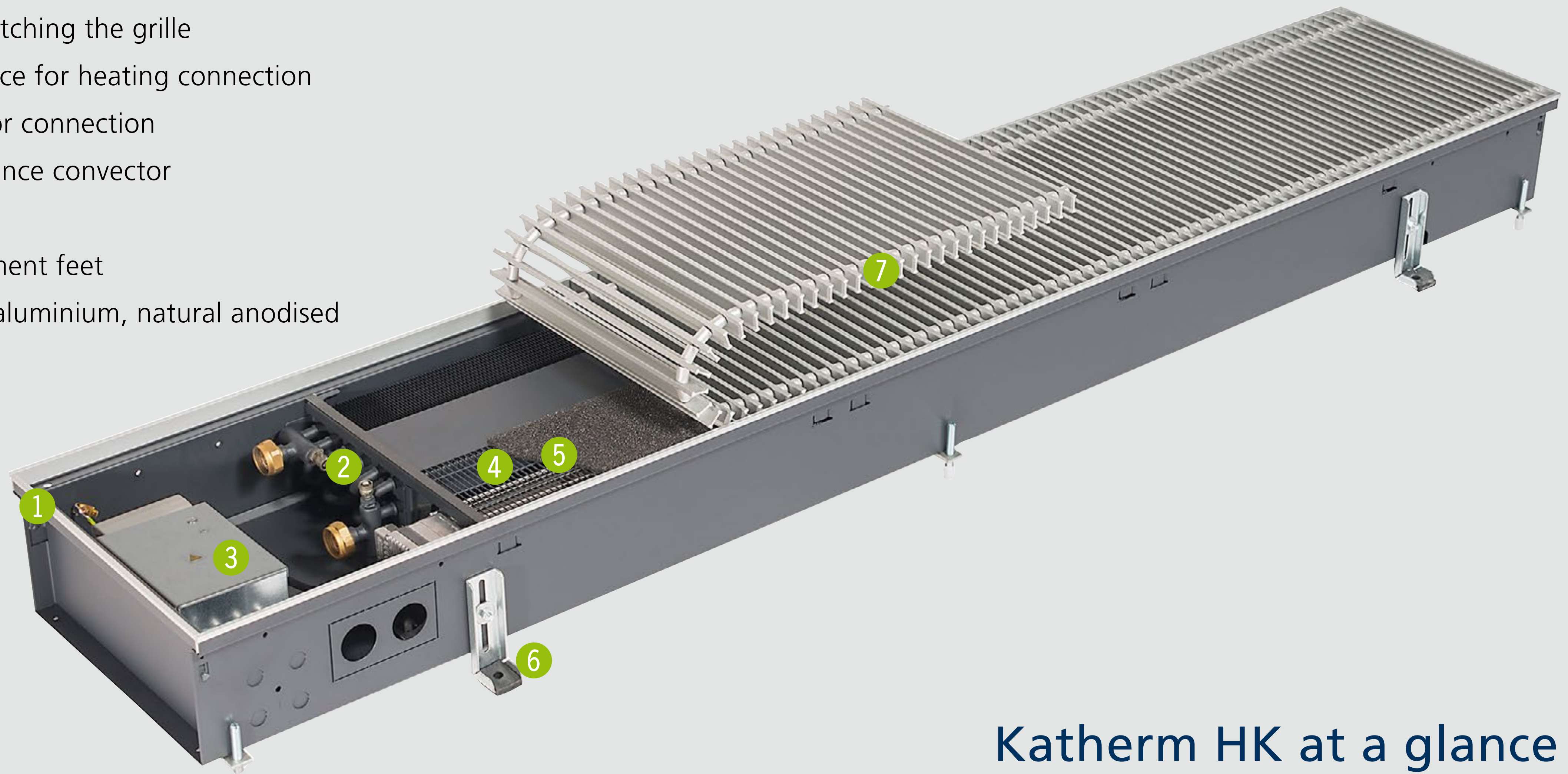


Maximum comfort

The layout and air flow are optimised in order to achieve a high level of comfort at ground level.



- 1 Frame trim matching the grille
- 2 Anti-twist device for heating connection
- 3 Wired ready for connection
- 4 High-performance convector
- 5 EC fan
- 6 Height adjustment feet
- 7 Roll-up grille: aluminium, natural anodised



Katherm HK at a glance



Advantages



Overview



Details



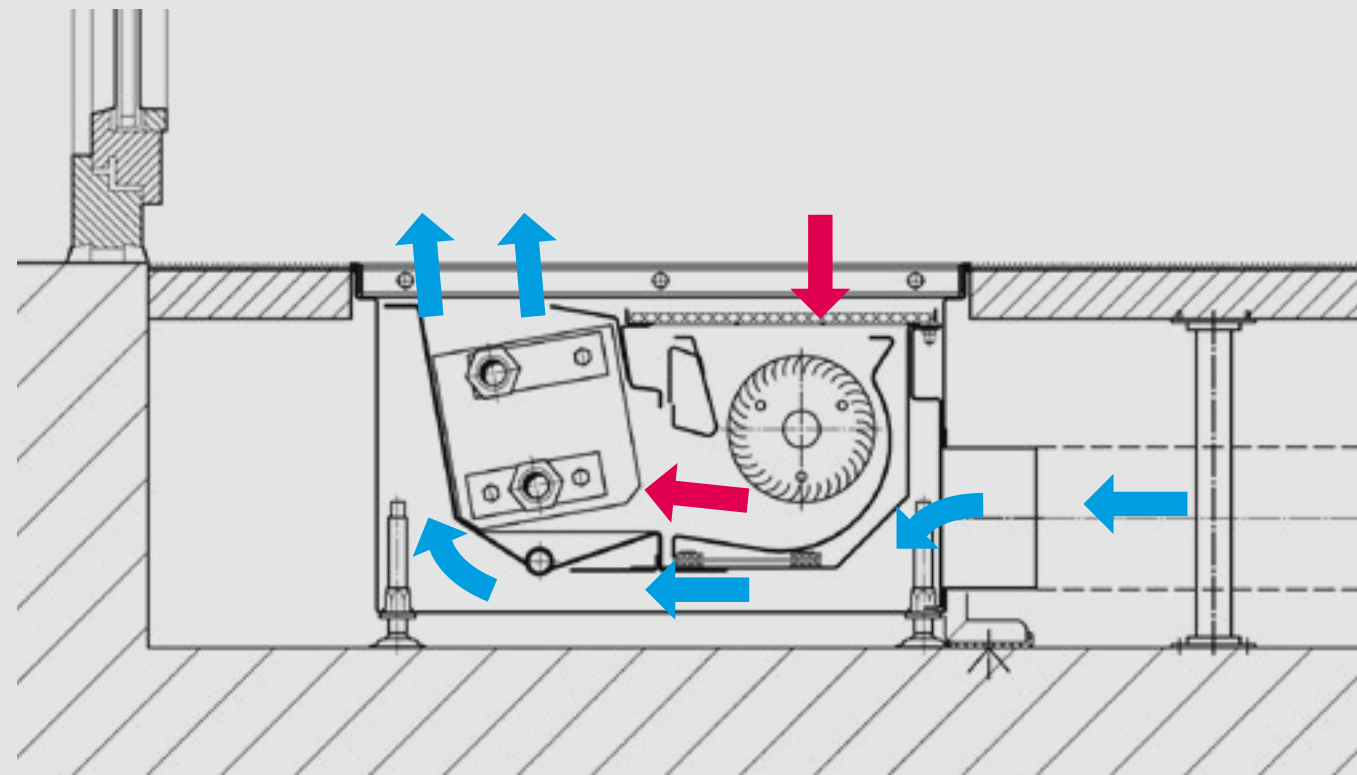
Performance



Contact

KAMPMAN
Genau mein Klima.

Katherm HK with Supply Air Function (optionally)



Cross-section (example showing roll-up grille)

Trench length	Supply air spigot DN 80 ¹⁾	Max. air flow per duct
[mm]	[Anzahl]	[m ³ /h]
1250	2	120
2000	3	180
2750	4	240

This applies only to trench height 190 mm. Others on request.

¹⁾ Max. air volume per supply air spigot DN 80 = 60 m³/h.
Other diameters of supply air spigots and air volumes on request.



Katherm HK with Supply Air Function

- ▶ To supply primary air (fresh air) into a space





Peripheral frame profile



Advantages



Overview



Details



Performance



Contact





Cover plate



Advantages



Overview



Details



Performance



Contact

KAMPMAN
Genau mein Klima.



Anti-twist device for connectors



Advantages



Overview



Details



Performance



Contact

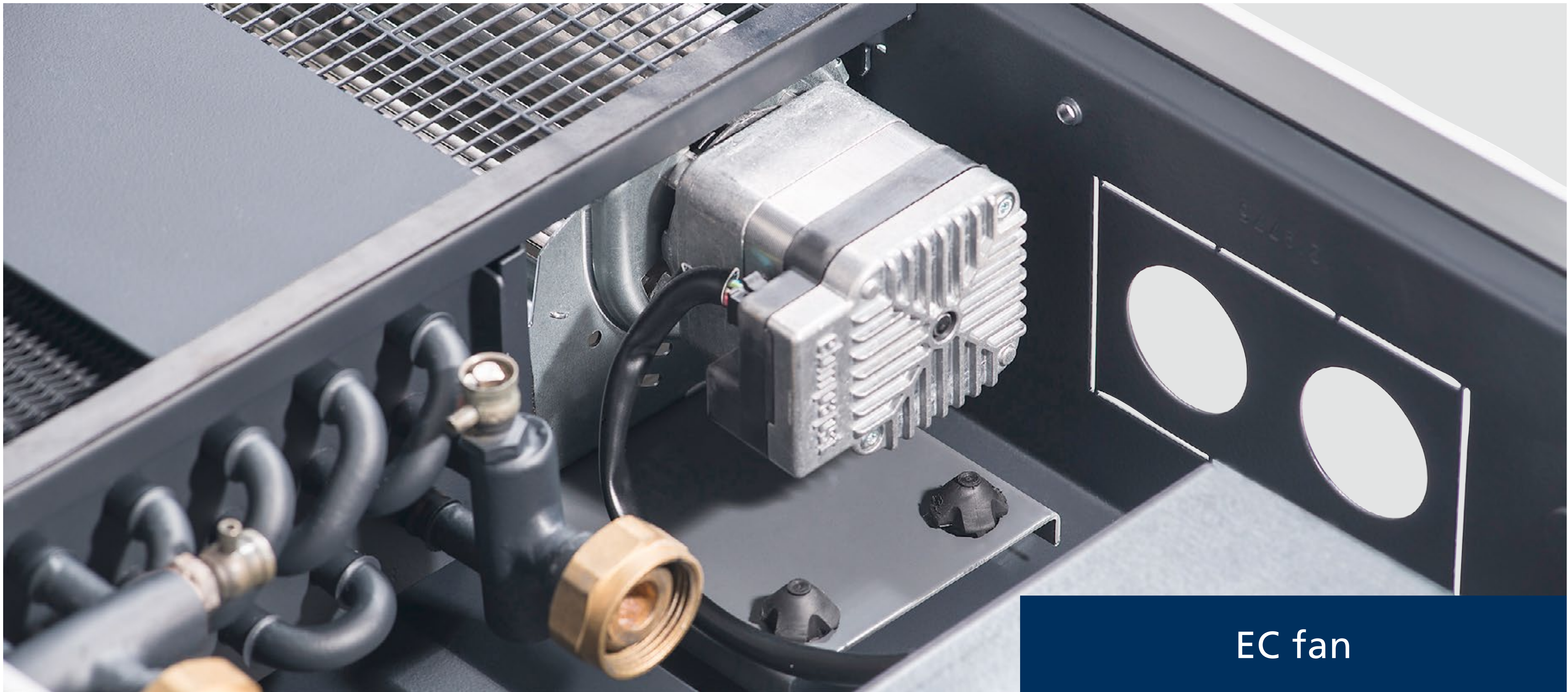
KAMPMAN
Genau mein Klima.



Wired ready for connection

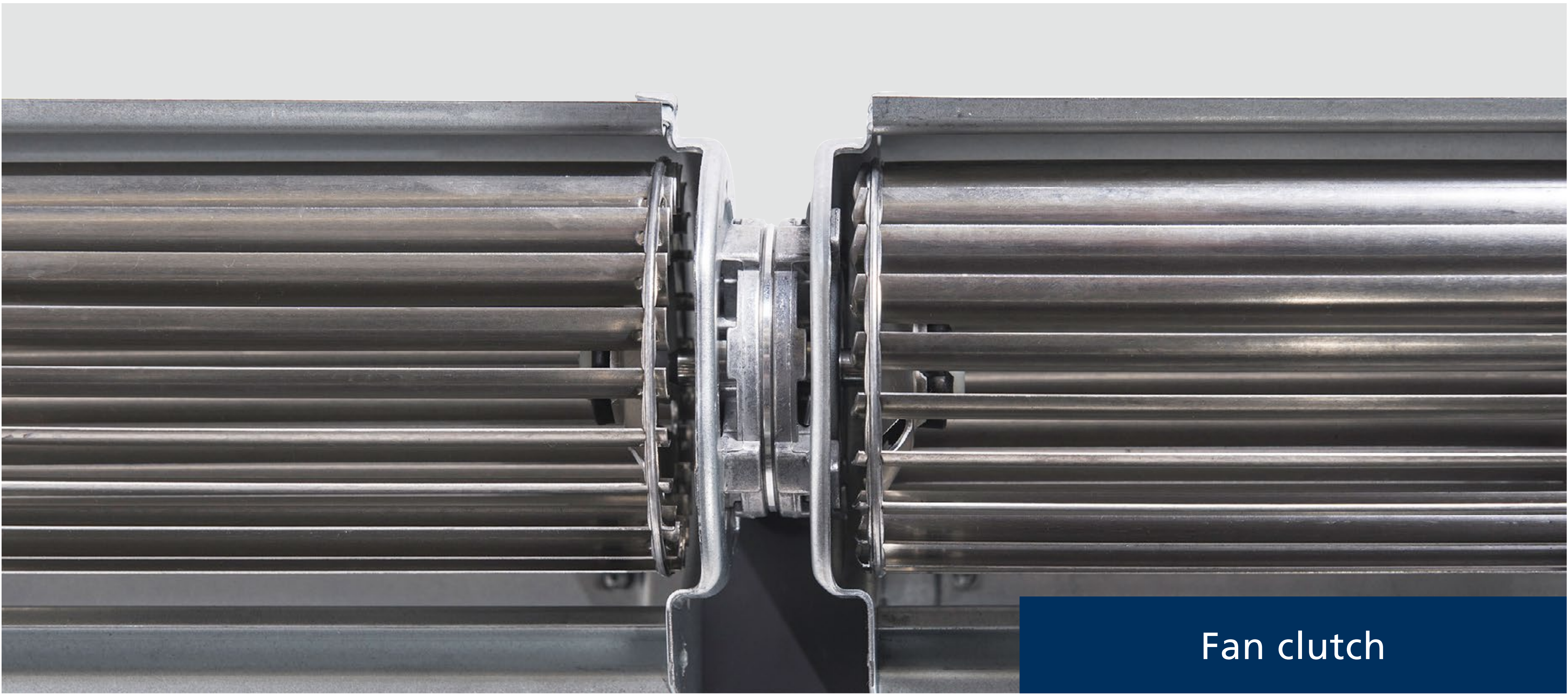


KAMPMAN
Genau mein Klima.



EC fan





Fan clutch



Advantages



Overview



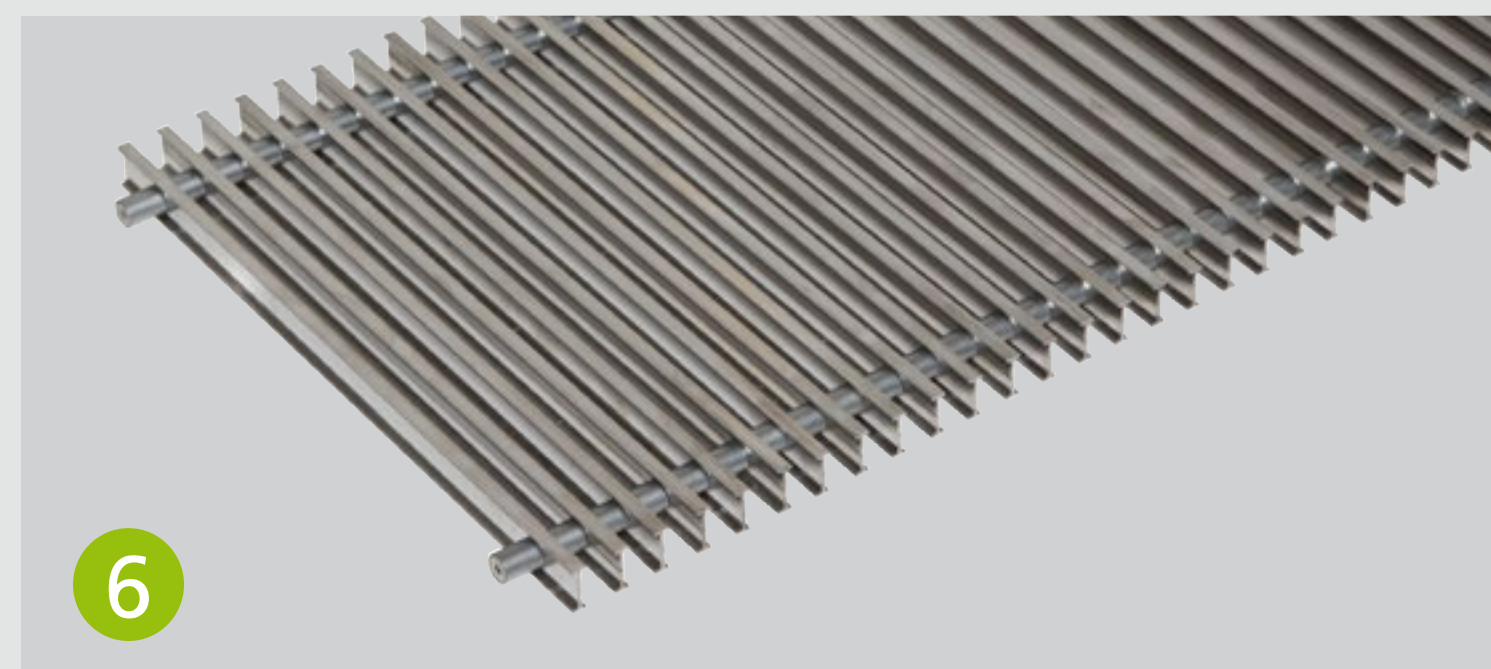
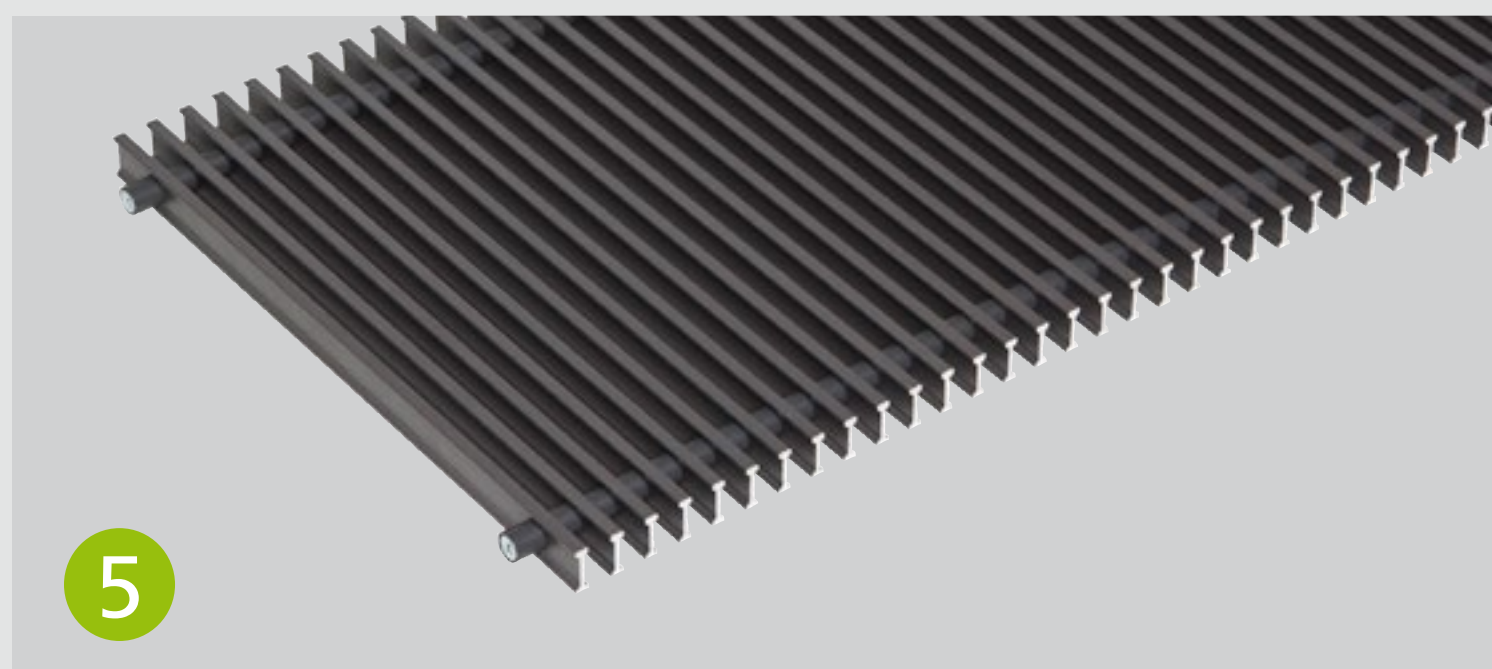
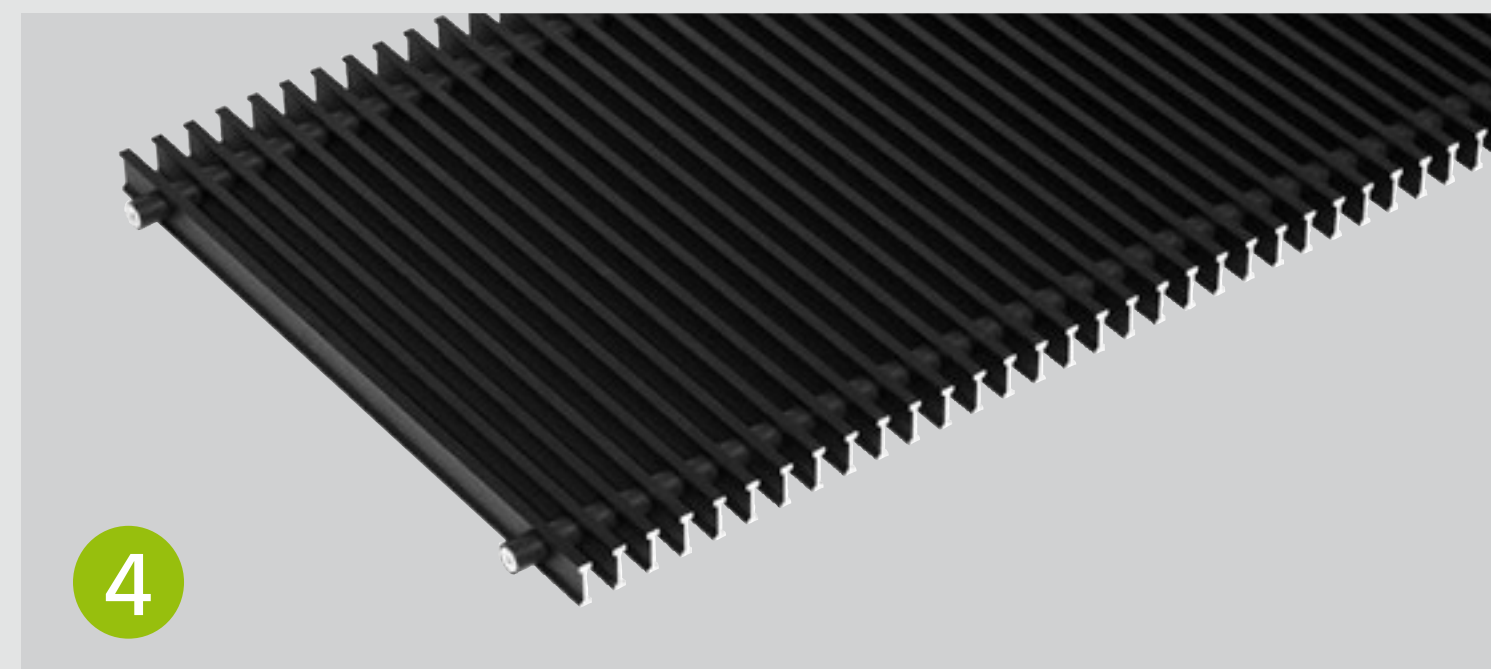
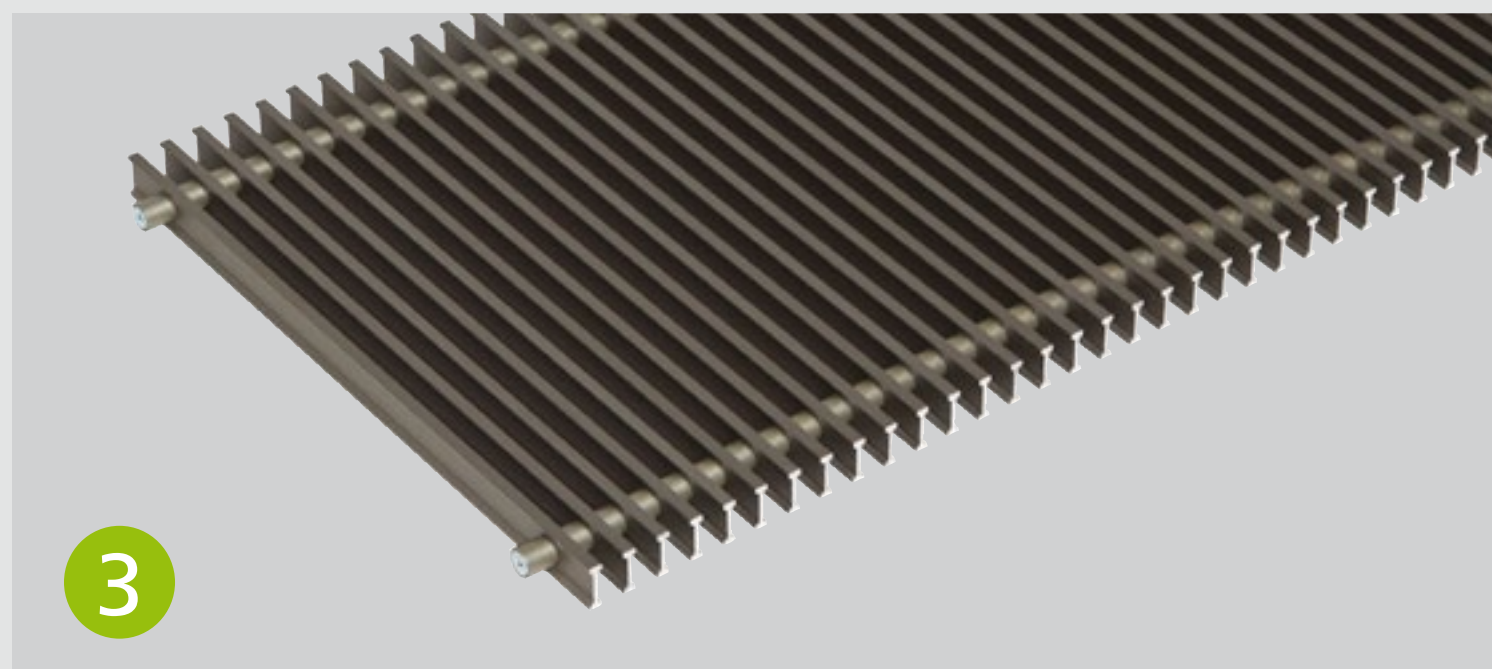
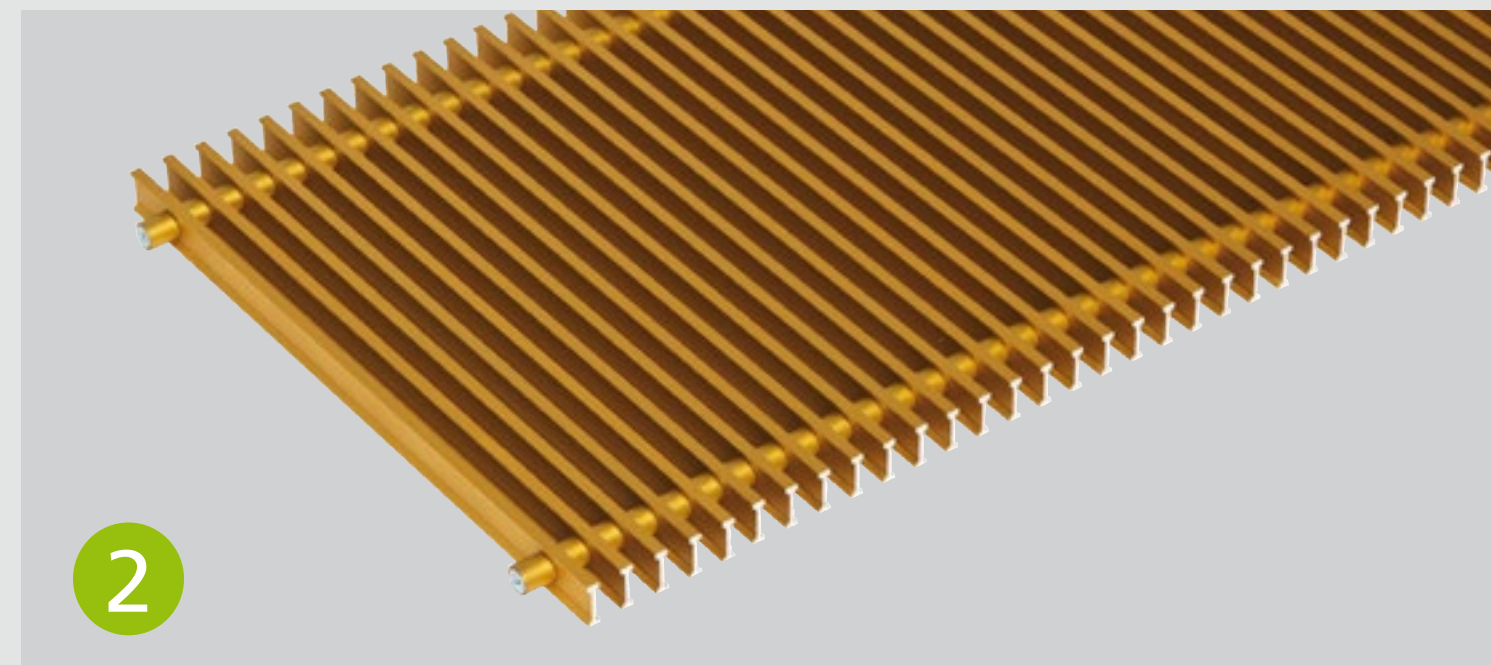
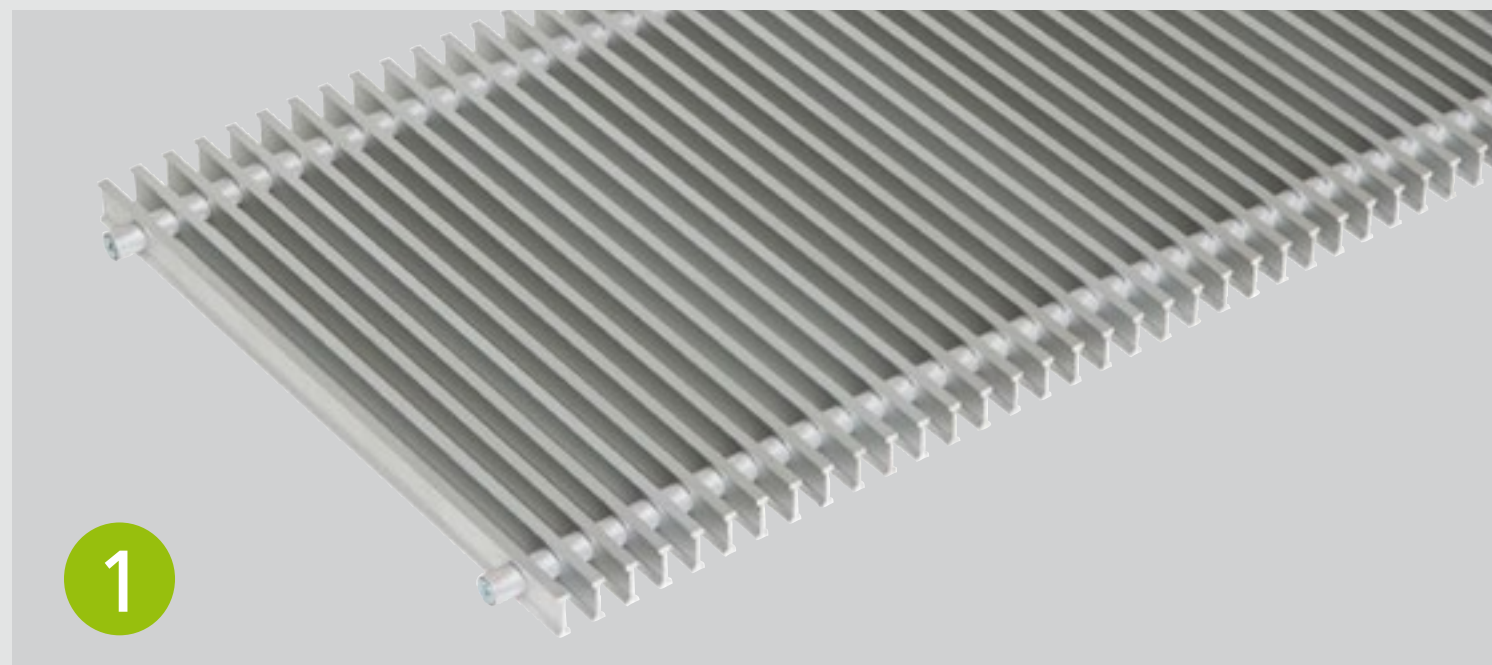
Details



Performance



Contact



- 1 Aluminium, natural anodised
- 2 Aluminium, brass anodised
- 3 Aluminium, bronze finish
- 4 Aluminium, black anodised
- 5 Aluminium, painted DB 703
- 6 Stainless steel

Choice of grilles
(examples shown are roll-up grilles)

More grille finishes (linear grilles) at
Kampmann-uk.co.uk/grilles





KaControl room automation

- ▶ Factory-fitted KaControl technology to set up networked total systems based on a KaControl control system.
- ▶ Interfaces for BACnet* or Modbus building automation as an optional plug-in unit
- ▶ 0-10 V analog input to control the fan and valve via a single data point
- ▶ Room control unit design with intuitive user guidance
- ▶ Integral timer program

* Web server integrated

0 - 10V BMS-Interface available

Further room and clock thermostats at Kampmann.co.uk



Advantages



Overview



Details



Performance



Contact

KAMPMANN
Genau mein Klima.

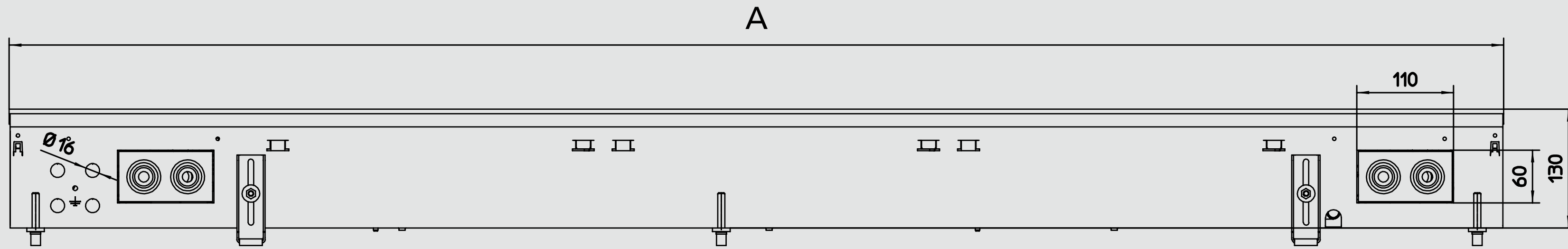
Performance data

Unit width	Unit height	Unit length	Heat output ¹⁾		Cooling output ²⁾		Sound pressure level	Sound power level
			2-pipe	4-pipe	2-pipe	4-pipe		
[mm]	[mm]	[mm]	[W]	[W]	[W]	[W]	[dB(A)]	[dB(A)]
320	130	915	1442	923	232	230	27	35
320	130	1200	2483	1657	402	399	29	37
320	130	1700	4523	3054	738	732	31	39
320	130	2000	5132	3589	834	828	32	40
320	130	2500	7177	4996	1170	1161	33	41
320	130	3000	9223	6405	1507	1494	34	42
340	190	1250	3335	2266	562	615	23	31
340	190	2000	5815	3952	980	1072	25	33
340	190	2750	8296	5637	1398	1530	27	35

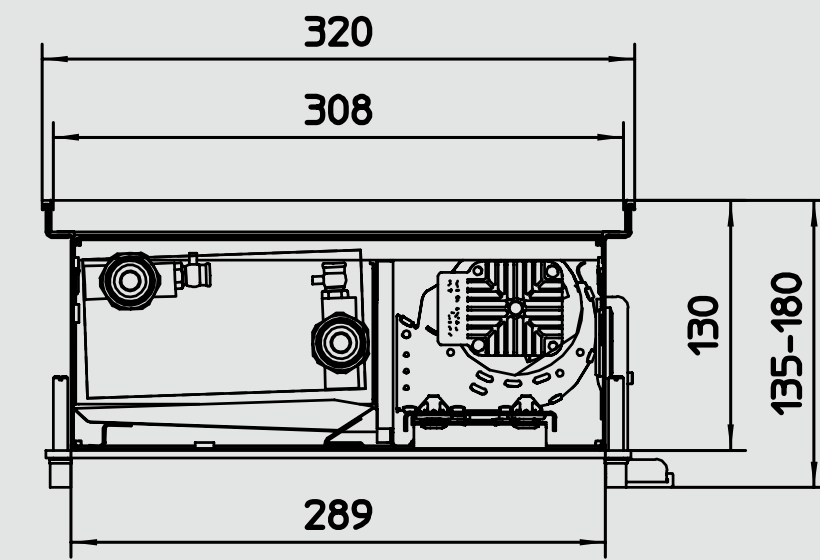
¹⁾ Heat output Q_H per Katherm HK, with an average speed setting 60 %, at LPHW 75/65 °C, room air temperature 20 °C

²⁾ Cooling output Q_K per Katherm HK, with an average speed setting 60 %, at LPCW 16/18 °C, room air temperature 27 °C, 48 % relative humidity

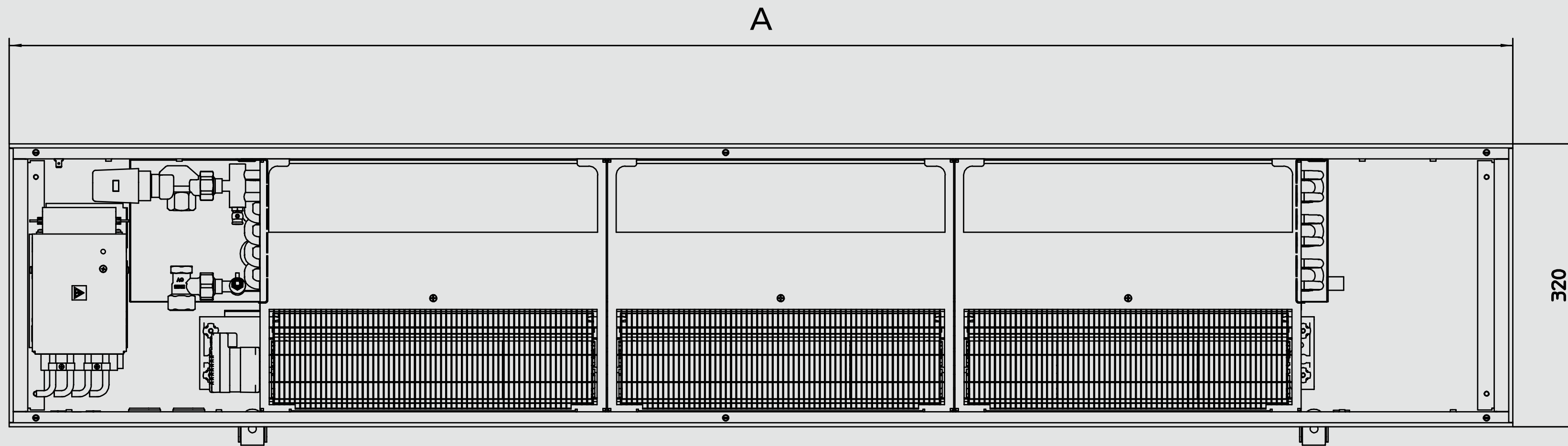




Side view



Cross-section



Top view

Dimensions

Length A	Width	Height
[mm]	[mm]	[mm]
950	320	130
1200	320	130
1700	320	130
2000	320	130
2500	320	130
3000	320	130



Ihre Vorteile!

Kampmann offers you the following service benefits:

- ▶ On-site Consultation
- ▶ System Solutions
- ▶ Diverse Sampling
- ▶ Planning Support
- ▶ Detailed Discussions
- ▶ Site-Measurement
- ▶ After Sales Service

Here we are at your service:
Kampmann.co.uk



Best solutions. Best support.



Kampmann.co.uk

Kampmann GmbH

Friedrich-Ebert-Str. 128–130
49811 Lingen (Ems)
Germany

Kampmann UK Ltd.

Dial House, Govett Avenue
Shepperton, Middlesex, TW17 8AG
Great Britain

T +49 591 7108-0
F +49 591 7108-300
E info@kampmann.de
W Kampmann.de

T +44 1932 228592
F +44 1932 228949
E info@kampmann.co.uk
W Kampmann.co.uk

