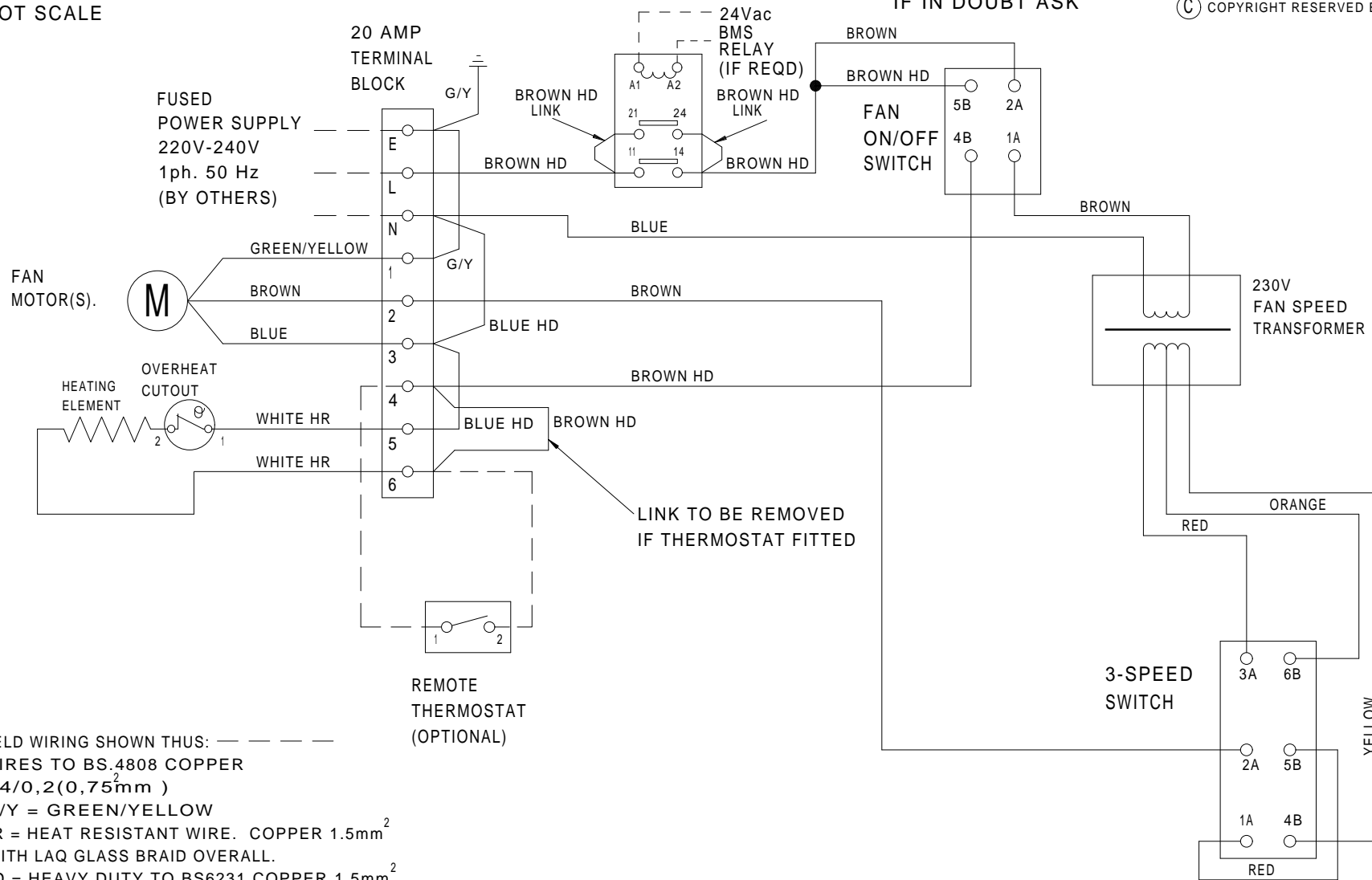


DO NOT SCALE

IF IN DOUBT ASK

© COPYRIGHT RESERVED ET ENVIRONMENTAL LTD.



NOTES

- 1, FIELD WIRING SHOWN THUS: - - - - -
- 2, WIRES TO BS.4808 COPPER 24/0,2(0,75mm²)
- 3, G/Y = GREEN/YELLOW
- 4, HR = HEAT RESISTANT WIRE. COPPER 1.5mm² WITH LAQ GLASS BRAID OVERALL.
- 5, HD = HEAVY DUTY TO BS6231 COPPER 1.5mm²

REV.	MOD.NO.	DATE	DRN	CHKD	DRAWING TO B.S. 308:PARTS 1,2 AND 3.	SCALE	DRAWN	AMC	DIFFUSION ENVIRONMENTAL LTD																																						
3	ECR 3053	25/05/04	MR	AMC	WELDING TERMS AND SYMBOLS TO B.S. 499:PART 2.	MAT'L	DATE	18/02/04	47 Central Avenue, West Molesey, Surrey, KT8 2QZ Telephone 020-8783-0033. Fax 020-8783-0140																																						
MODIFICATION					<table border="1"> <thead> <tr> <th colspan="4">GEOMETRIC TOLERANCE SYMBOLS</th> </tr> <tr> <th>CHARACTERISTIC</th> <th>SYM</th> <th>CHARACTERISTIC</th> <th>SYM</th> </tr> </thead> <tbody> <tr> <td>Straightness</td> <td>—</td> <td>Angularity</td> <td>∠</td> </tr> <tr> <td>Flatness</td> <td>∇</td> <td>Run out</td> <td>↗</td> </tr> <tr> <td>Roundness</td> <td>○</td> <td>Position</td> <td>⊕</td> </tr> <tr> <td>Cylindricity</td> <td>⊘</td> <td>Concentricity</td> <td>⊙</td> </tr> <tr> <td>Profile of a line</td> <td>⌒</td> <td>Symmetry</td> <td>≡</td> </tr> <tr> <td>Profile of a surface</td> <td>⌒</td> <td>M.M.C.</td> <td>Ⓜ</td> </tr> <tr> <td>Parallelism</td> <td>//</td> <td>Squareness</td> <td>⊥</td> </tr> </tbody> </table>	GEOMETRIC TOLERANCE SYMBOLS				CHARACTERISTIC	SYM	CHARACTERISTIC	SYM	Straightness	—	Angularity	∠	Flatness	∇	Run out	↗	Roundness	○	Position	⊕	Cylindricity	⊘	Concentricity	⊙	Profile of a line	⌒	Symmetry	≡	Profile of a surface	⌒	M.M.C.	Ⓜ	Parallelism	//	Squareness	⊥	<p>ALL DIMENSIONS IN MM THIRD ANGLE PROJECTION</p> <p>TOLERANCES UNLESS OTHERWISE STATED</p> <p>DIMENSIONAL ± 0,5</p> <p>ANGULAR ± 1°</p>	FINISH	DATE	18/02/04	TITLE	WIRING DIAGRAM, CTE WITH 3-SPEED, 1.5kW ELECTRIC HEATING & OPTIONAL THERMOSTAT
GEOMETRIC TOLERANCE SYMBOLS																																															
CHARACTERISTIC	SYM	CHARACTERISTIC	SYM																																												
Straightness	—	Angularity	∠																																												
Flatness	∇	Run out	↗																																												
Roundness	○	Position	⊕																																												
Cylindricity	⊘	Concentricity	⊙																																												
Profile of a line	⌒	Symmetry	≡																																												
Profile of a surface	⌒	M.M.C.	Ⓜ																																												
Parallelism	//	Squareness	⊥																																												
2	ECR 3496	18/02/04	AMC	CDS			APP'D		JOB STANDARD CTE 1.5KW																																						
1	ECR 3013	11/02/04	AMC	CDS			DATE		DRG.NO. A3/16424																																						