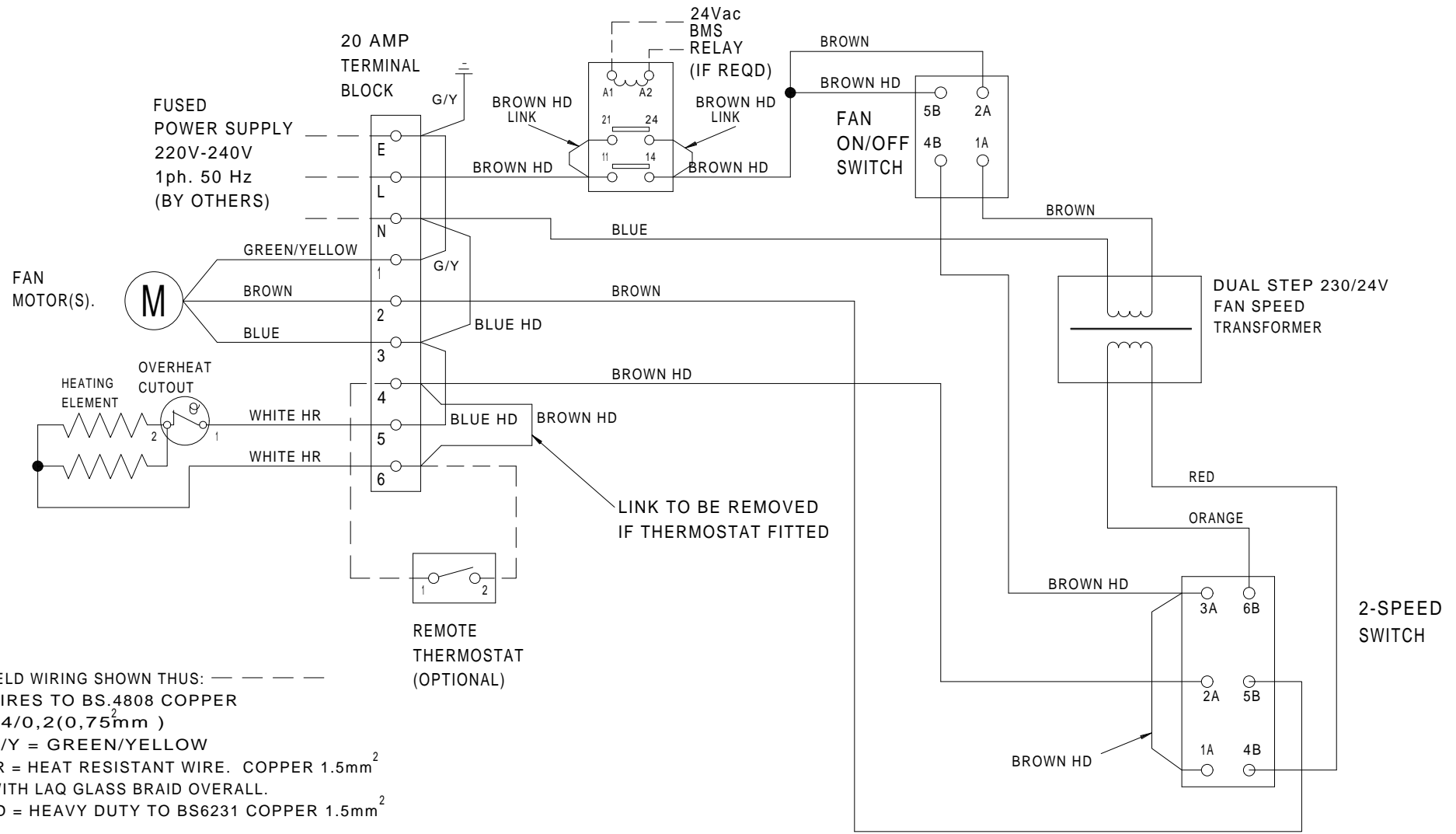


DO NOT SCALE

IF IN DOUBT ASK

© COPYRIGHT RESERVED ET ENVIRONMENTAL LTD.



NOTES

- 1, FIELD WIRING SHOWN THUS: - - - -
- 2, WIRES TO BS.4808 COPPER 24/0,2(0,75mm<sup>2</sup>)
- 3, G/Y = GREEN/YELLOW
- 4, HR = HEAT RESISTANT WIRE. COPPER 1.5mm<sup>2</sup> WITH LAQ GLASS BRAID OVERALL.
- 5, HD = HEAVY DUTY TO BS6231 COPPER 1.5mm<sup>2</sup>

REV.	MOD.NO.	DATE	DRN	CHKD	DRAWING TO B.S. 308:PARTS 1,2 AND 3.		SCALE	DRAWN	AMC	DIFFUSION ENVIRONMENTAL LTD																																								
4	ECR 3394	17/04/08	DD	SPH	WELDING TERMS AND SYMBOLS TO B.S. 499:PART 2.		MAT'L	DATE	18/02/04	47 Central Avenue, West Molesey, Surrey, KT8 2QZ Telephone 020-8783-0033. Fax 020-8783-0140																																								
MODIFICATION					<table border="1"> <thead> <tr> <th colspan="4">GEOMETRIC TOLERANCE SYMBOLS</th> </tr> <tr> <th>CHARACTERISTIC</th> <th>SYM</th> <th>CHARACTERISTIC</th> <th>SYM</th> </tr> </thead> <tbody> <tr> <td>Straightness</td> <td>—</td> <td>Angularity</td> <td>∠</td> </tr> <tr> <td>Flatness</td> <td>∇</td> <td>Run out</td> <td>↗</td> </tr> <tr> <td>Roundness</td> <td>○</td> <td>Position</td> <td>⊕</td> </tr> <tr> <td>Cylindricity</td> <td>⊘</td> <td>Concentricity</td> <td>⊙</td> </tr> <tr> <td>Profile of a line</td> <td>⌒</td> <td>Symmetry</td> <td>≡</td> </tr> <tr> <td>Profile of a surface</td> <td>⌒</td> <td>M.M.C.</td> <td>Ⓜ</td> </tr> <tr> <td>Parallelism</td> <td>//</td> <td>Squareness</td> <td>⊥</td> </tr> </tbody> </table>		GEOMETRIC TOLERANCE SYMBOLS				CHARACTERISTIC	SYM	CHARACTERISTIC	SYM	Straightness	—	Angularity	∠	Flatness	∇	Run out	↗	Roundness	○	Position	⊕	Cylindricity	⊘	Concentricity	⊙	Profile of a line	⌒	Symmetry	≡	Profile of a surface	⌒	M.M.C.	Ⓜ	Parallelism	//	Squareness	⊥	ALL DIMENSIONS IN MM THIRD ANGLE PROJECTION		FINISH		DATE	18/02/04	TITLE WIRING DIAGRAM, CTE WITH 2-SPEED, 3kW ELECTRIC HEATING & REMOTE THERMOSTAT	
GEOMETRIC TOLERANCE SYMBOLS																																																		
CHARACTERISTIC	SYM	CHARACTERISTIC	SYM																																															
Straightness	—	Angularity	∠																																															
Flatness	∇	Run out	↗																																															
Roundness	○	Position	⊕																																															
Cylindricity	⊘	Concentricity	⊙																																															
Profile of a line	⌒	Symmetry	≡																																															
Profile of a surface	⌒	M.M.C.	Ⓜ																																															
Parallelism	//	Squareness	⊥																																															
3	ECR 3053	25/05/04	MR	AMC	TOLERANCES UNLESS OTHERWISE STATED		APP'D		JOB STANDARD CTE 3KW																																									
2	ECR 3496	18/02/04	AMC	CDS	DIMENSIONAL ± 0,5		DATE		DRG.NO. A3/16423																																									
1	ECR 3013	11/02/04	AMC	CDS	ANGULAR ± 1°																																													