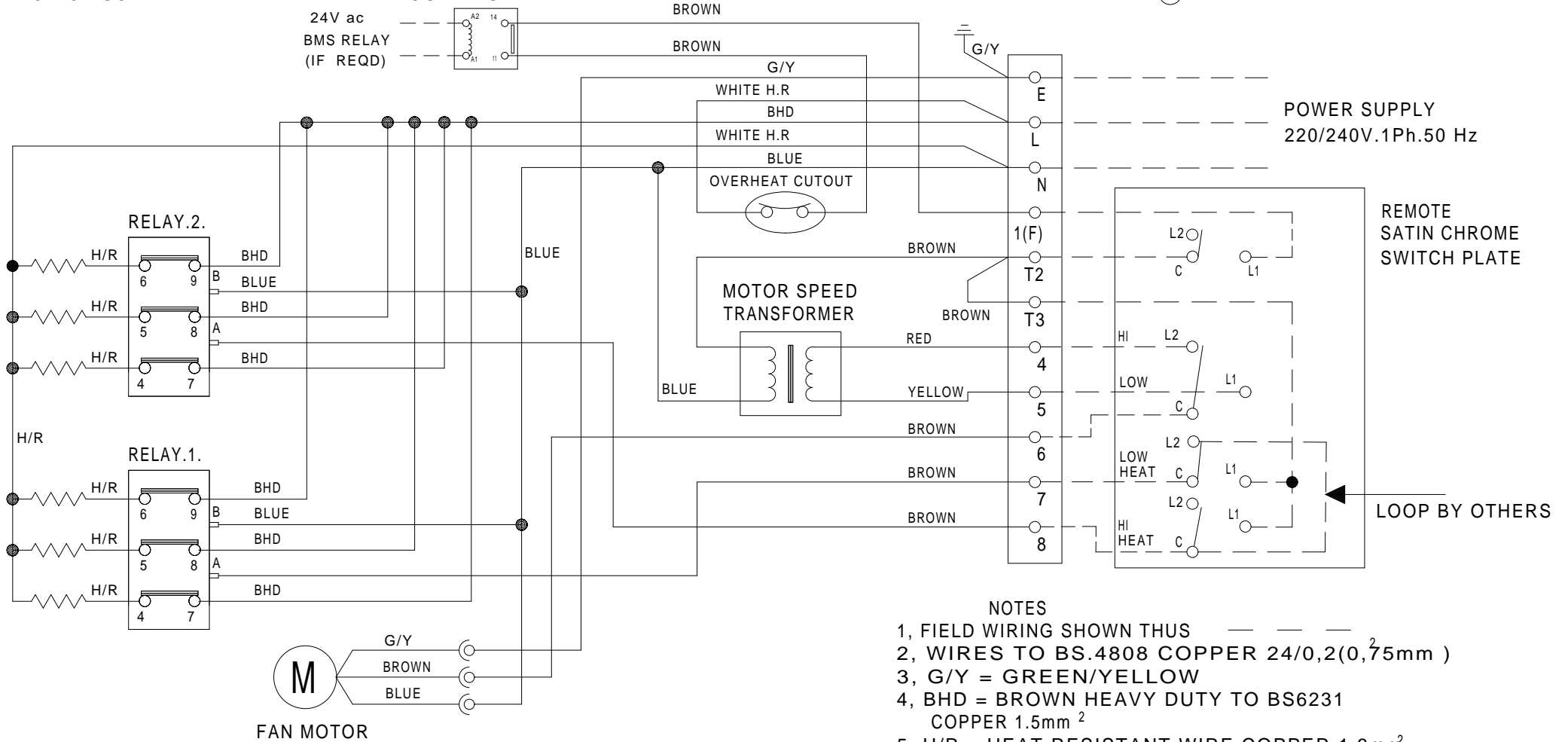


DO NOT SCALE

IF IN DOUBT ASK

© COPYRIGHT RESERVED ET ENVIRONMENTAL LTD.



- NOTES**
- 1, FIELD WIRING SHOWN THUS
 - 2, WIRES TO BS.4808 COPPER 24/0,2(0,275mm²)
 - 3, G/Y = GREEN/YELLOW
 - 4, BHD = BROWN HEAVY DUTY TO BS6231 COPPER 1.5mm²
 - 5, H/R = HEAT RESISTANT WIRE COPPER 1.3mm² WITH LAQ. GLASS BRAID OVERALL
 - 6, (F) = FUSE 2A
 - 7, T2,T3 = REMOTE THERMOSTAT IF REQD.

REV.	MOD.NO.	DATE	DRN	CHKD	DRAWING TO B.S. 308:PARTS 1,2 AND 3.			SCALE	DRAWN	MR	DIFFUSION ENVIRONMENTAL LTD				
1	REQ. 3782	7/12/04	MR	CDS	WELDING TERMS AND SYMBOLS TO B.S. 499:PART 2.			MAT'L	DATE	7/12/04	47 Central Avenue, West Molesey, Surrey, KT8 2QZ Telephone 020-8783-0033. Fax 020-8783-0140				
MODIFICATION					GEOMETRIC TOLERANCE SYMBOLS				FINISH	CHECKED	CDS	TITLE	WIRING DIAGRAM.		
					CHARACTERISTIC	SYM	CHARACTERISTIC	SYM		ALL DIMENSIONS IN MM THIRD ANGLE PROJECTION	DATE	7/12/04	MIRAGE 1000E 6KW		
					Straightness	—	Angularity	∠			TOLERANCES UNLESS OTHERWISE STATED	APP'D		SINGLE PHASE	
					Flatness	∇	Run out	∕				DATE		JOB	
					Roundness	○	Position	⊕				DIMENSIONAL ± 0,5	DATE		DRG.NO.
Cylindricity	∕○	Concentricity	⊕	ANGULAR ± 1°											
Profile of a line	∩	Symmetry	≡												
Profile of a surface	∩	M.M.C.	Ⓜ												
Parallelism	∕∕	Squareness	⊥												