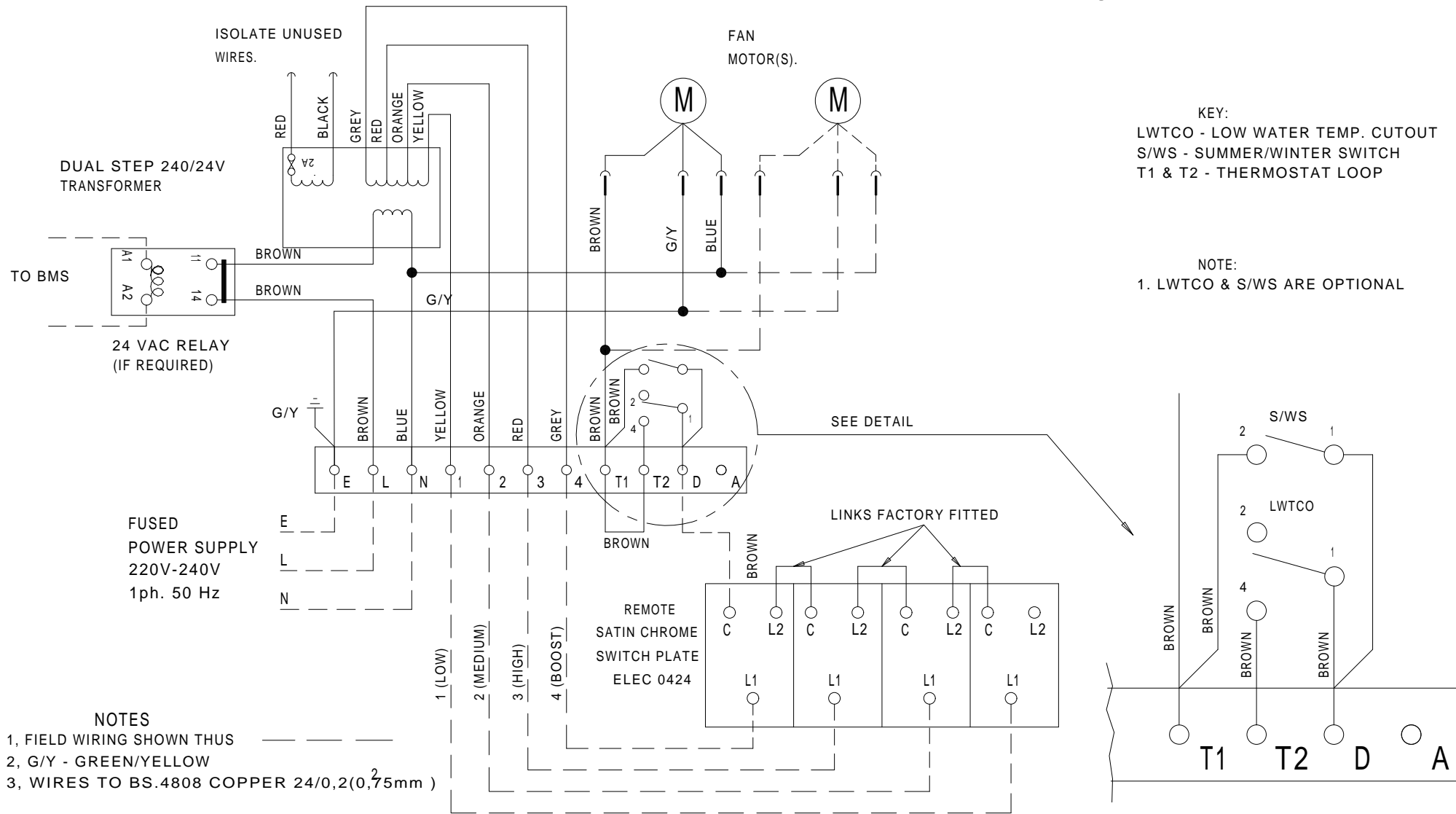


DO NOT SCALE

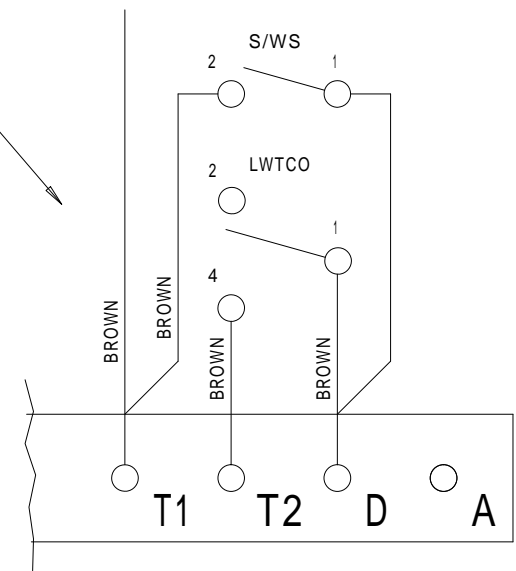
IF IN DOUBT ASK

© COPYRIGHT RESERVED ET ENVIRONMENTAL LTD.



KEY:
 LWTCO - LOW WATER TEMP. CUTOUT
 S/WS - SUMMER/WINTER SWITCH
 T1 & T2 - THERMOSTAT LOOP

NOTE:
 1. LWTCO & S/WS ARE OPTIONAL



NOTES
 1, FIELD WIRING SHOWN THUS
 2, G/Y - GREEN/YELLOW
 3, WIRES TO BS.4808 COPPER 24/0,2(0,75mm)

REV.	MOD.NO.	DATE	DRN	CHKD	DRAWING TO B.S. 308:PARTS 1,2 AND 3.		SCALE	DRAWN	DD	DIFFUSION ENVIRONMENTAL LTD. 47 Central Avenue, West Molesey, Surrey, KT8 2QZ Telephone 020-8783-0033. Fax 020-8783-0140																																							
1	REQ. 4020	05-10-05	DD	CDS	WELDING TERMS AND SYMBOLS TO B.S. 499:PART 2.		MAT'L	DATE	05-10-05																																								
					<table border="1"> <thead> <tr> <th colspan="4">GEOMETRIC TOLERANCE SYMBOLS</th> </tr> <tr> <th>CHARACTERISTIC</th> <th>SYM</th> <th>CHARACTERISTIC</th> <th>SYM</th> </tr> </thead> <tbody> <tr> <td>Straightness</td> <td>—</td> <td>Angularity</td> <td>∠</td> </tr> <tr> <td>Flatness</td> <td>▭</td> <td>Run out</td> <td>↗</td> </tr> <tr> <td>Roundness</td> <td>○</td> <td>Position</td> <td>⊕</td> </tr> <tr> <td>Cylindricity</td> <td>⊘</td> <td>Concentricity</td> <td>⊙</td> </tr> <tr> <td>Profile of a line</td> <td>⌒</td> <td>Symmetry</td> <td>≡</td> </tr> <tr> <td>Profile of a surface</td> <td>⌒</td> <td>M.M.C.</td> <td>Ⓜ</td> </tr> <tr> <td>Parallelism</td> <td>//</td> <td>Squareness</td> <td>⊥</td> </tr> </tbody> </table>		GEOMETRIC TOLERANCE SYMBOLS				CHARACTERISTIC	SYM	CHARACTERISTIC	SYM	Straightness	—	Angularity	∠	Flatness	▭	Run out	↗	Roundness	○	Position	⊕	Cylindricity	⊘	Concentricity	⊙	Profile of a line	⌒	Symmetry	≡	Profile of a surface	⌒	M.M.C.	Ⓜ	Parallelism	//	Squareness	⊥	ALL DIMENSIONS IN MM THIRD ANGLE PROJECTION TOLERANCES UNLESS OTHERWISE STATED DIMENSIONAL ± 0,5 ANGULAR ± 1°		FINISH	CHECKED	CDS	TITLE	WIRING DIAGRAM. MIRAGE 1000, 1200, 1500, 1800 & 2000 LPHW
GEOMETRIC TOLERANCE SYMBOLS																																																	
CHARACTERISTIC	SYM	CHARACTERISTIC	SYM																																														
Straightness	—	Angularity	∠																																														
Flatness	▭	Run out	↗																																														
Roundness	○	Position	⊕																																														
Cylindricity	⊘	Concentricity	⊙																																														
Profile of a line	⌒	Symmetry	≡																																														
Profile of a surface	⌒	M.M.C.	Ⓜ																																														
Parallelism	//	Squareness	⊥																																														
								DATE	05-10-05	APP'D	JOB																																						
								DATE		DRG.NO.	A3/19055																																						