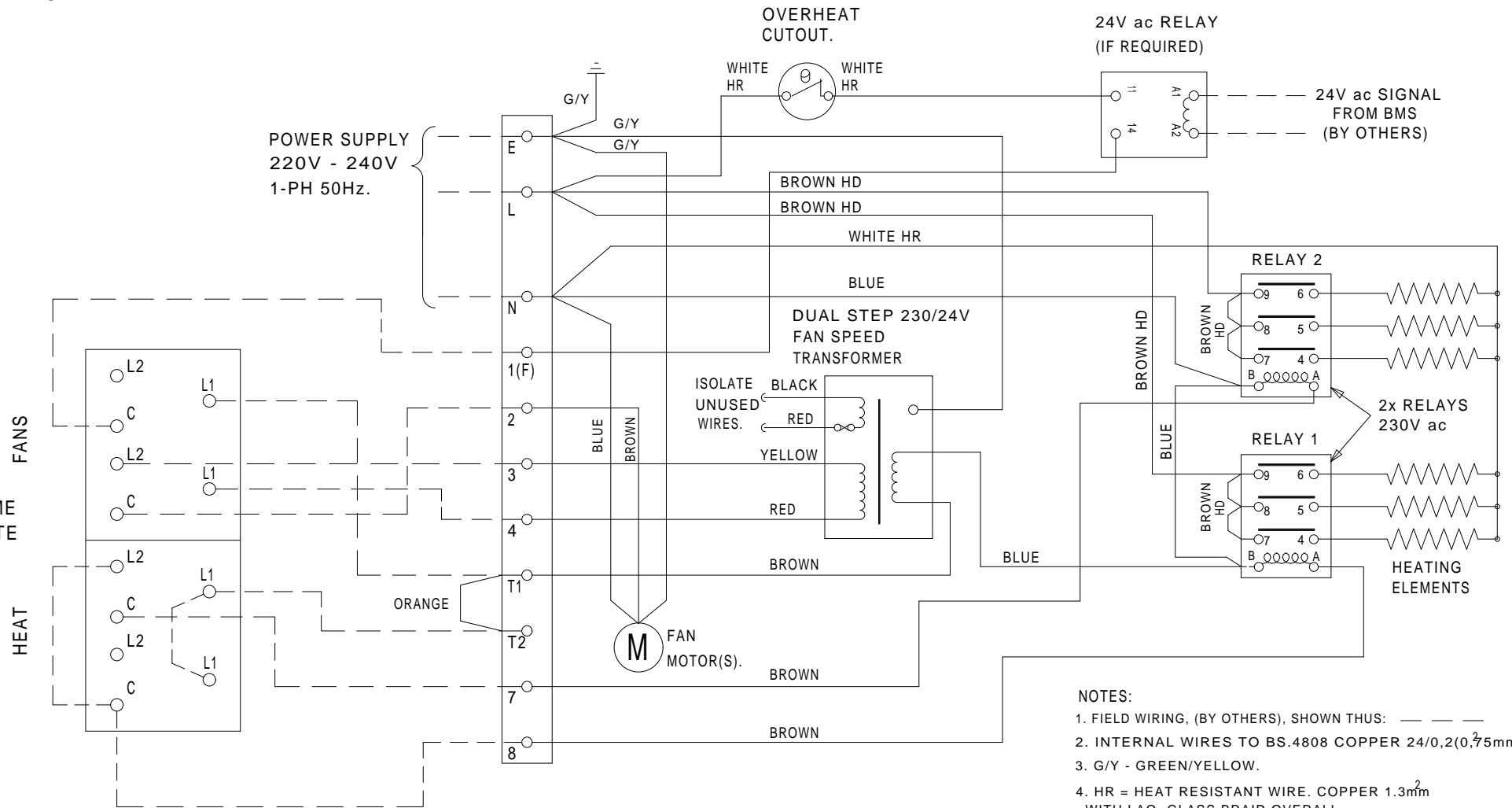


IF IN DOUBT ASK

© COPYRIGHT RESERVED ET ENVIRONMENTAL LTD.



- NOTES:
1. FIELD WIRING, (BY OTHERS), SHOWN THUS: - - - - -
 2. INTERNAL WIRES TO BS.4808 COPPER 24/0,2(0,75mm²)
 3. G/Y - GREEN/YELLOW.
 4. HR = HEAT RESISTANT WIRE. COPPER 1.3mm² WITH LAQ. GLASS BRAID OVERALL.
 5. HD = HEAVY DUTY TO BS6231 COPPER 1.5mm²
 6. T1 & T2 = REMOTE ROOM THERMOSTAT LOOP.
 7. F = 5 AMP FUSE.

REV.	MOD.NO.	DATE	DRN	CHKD	DRAWING TO B.S. 308:PARTS 1,2 AND 3. WELDING TERMS AND SYMBOLS TO B.S. 499:PART 2.	SCALE	DRAWN	AMC	DIFFUSION ENVIRONMENTAL LTD 47 Central Avenue, West Molesey, Surrey, KT8 2QZ Telephone 020-8783-0033. Fax 020-8783-0140																																					
1	REQ.3796	22/12/04	AMC	CDS		MAT'L		DATE		22/12/04																																				
MODIFICATION					<table border="1"> <thead> <tr> <th colspan="4">GEOMETRIC TOLERANCE SYMBOLS</th> </tr> <tr> <th>CHARACTERISTIC</th> <th>SYM</th> <th>CHARACTERISTIC</th> <th>SYM</th> </tr> </thead> <tbody> <tr> <td>Straightness</td> <td>—</td> <td>Angularity</td> <td>∠</td> </tr> <tr> <td>Fiatness</td> <td>∇</td> <td>Run out</td> <td>↗</td> </tr> <tr> <td>Roundness</td> <td>○</td> <td>Position</td> <td>⊕</td> </tr> <tr> <td>Cylindricity</td> <td>⊘</td> <td>Concentricity</td> <td>⊙</td> </tr> <tr> <td>Profile of a line</td> <td>⌒</td> <td>Symmetry</td> <td>≡</td> </tr> <tr> <td>Profile of a surface</td> <td>⌒</td> <td>M.M.C.</td> <td>Ⓜ</td> </tr> <tr> <td>Parallelism</td> <td>//</td> <td>Squareness</td> <td>⊥</td> </tr> </tbody> </table>	GEOMETRIC TOLERANCE SYMBOLS				CHARACTERISTIC	SYM	CHARACTERISTIC	SYM	Straightness	—	Angularity	∠	Fiatness	∇	Run out	↗	Roundness	○	Position	⊕	Cylindricity	⊘	Concentricity	⊙	Profile of a line	⌒	Symmetry	≡	Profile of a surface	⌒	M.M.C.	Ⓜ	Parallelism	//	Squareness	⊥	ALL DIMENSIONS IN MM THIRD ANGLE PROJECTION TOLERANCES UNLESS OTHERWISE STATED DIMENSIONAL ± 0,5 ANGULAR ± 1°	FINISH	APP'D	DATE	TITLE WIRING DIAGRAM, ELECTRIC 1-PHASE. STANDARD REMOTE SPEED, WITH OVERHEAT CUTOUT. OASIS ELECTRIC, 1000 UNIT = 6KW, DRG.NO. A3/17843
GEOMETRIC TOLERANCE SYMBOLS																																														
CHARACTERISTIC	SYM	CHARACTERISTIC	SYM																																											
Straightness	—	Angularity	∠																																											
Fiatness	∇	Run out	↗																																											
Roundness	○	Position	⊕																																											
Cylindricity	⊘	Concentricity	⊙																																											
Profile of a line	⌒	Symmetry	≡																																											
Profile of a surface	⌒	M.M.C.	Ⓜ																																											
Parallelism	//	Squareness	⊥																																											